

スバルジェネレータ

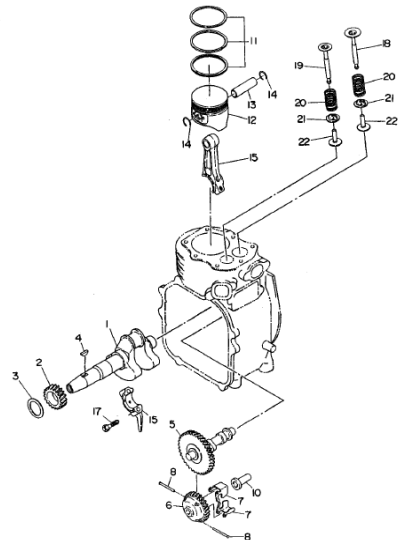
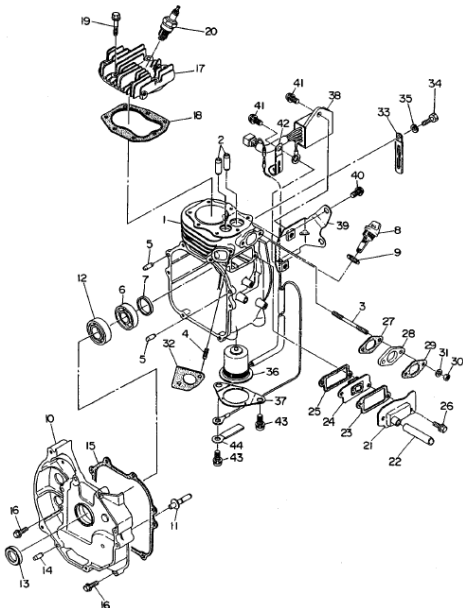
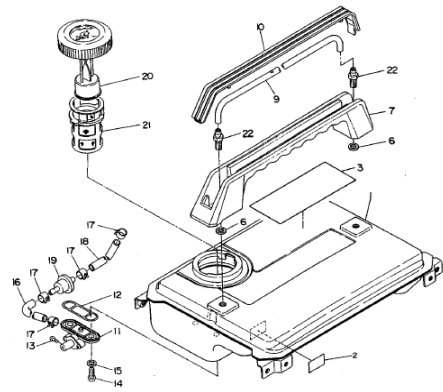
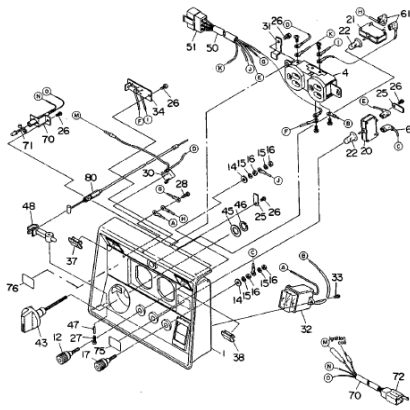
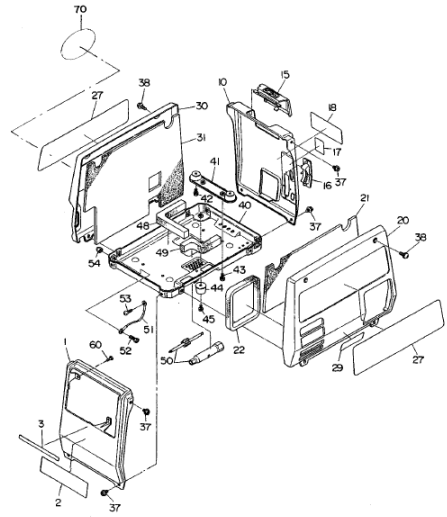
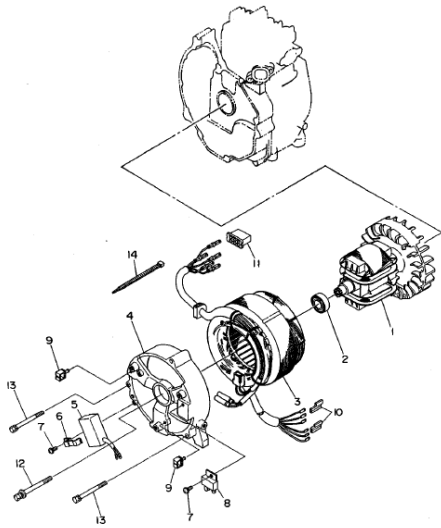
Model SG550

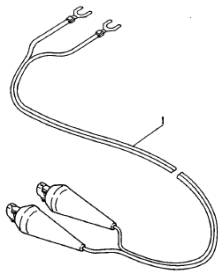
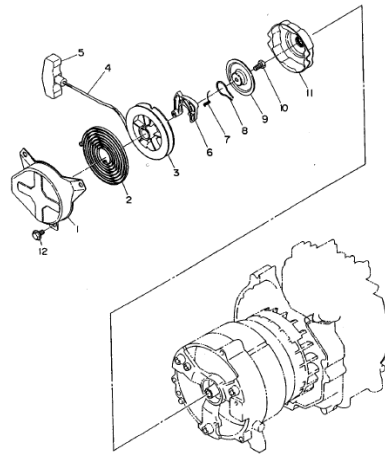
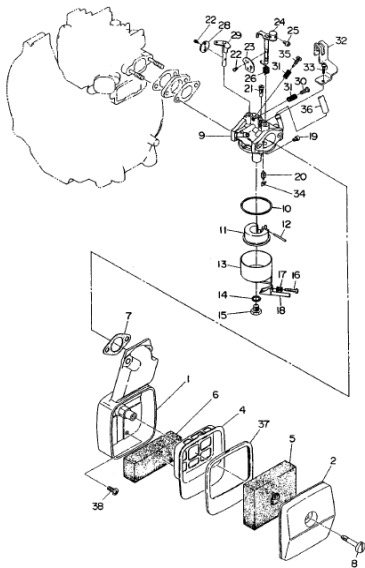
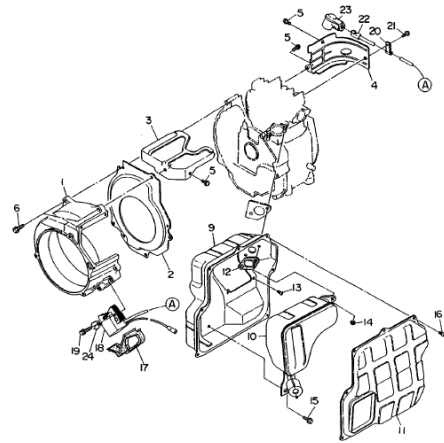
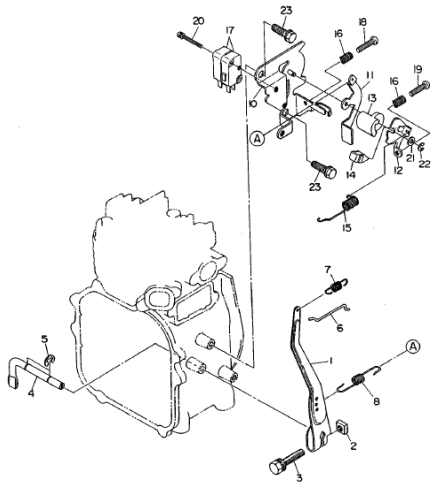
PARTS CATALOG

Spec.No. RG006031450
E/G Spec.No. EY080DN8110

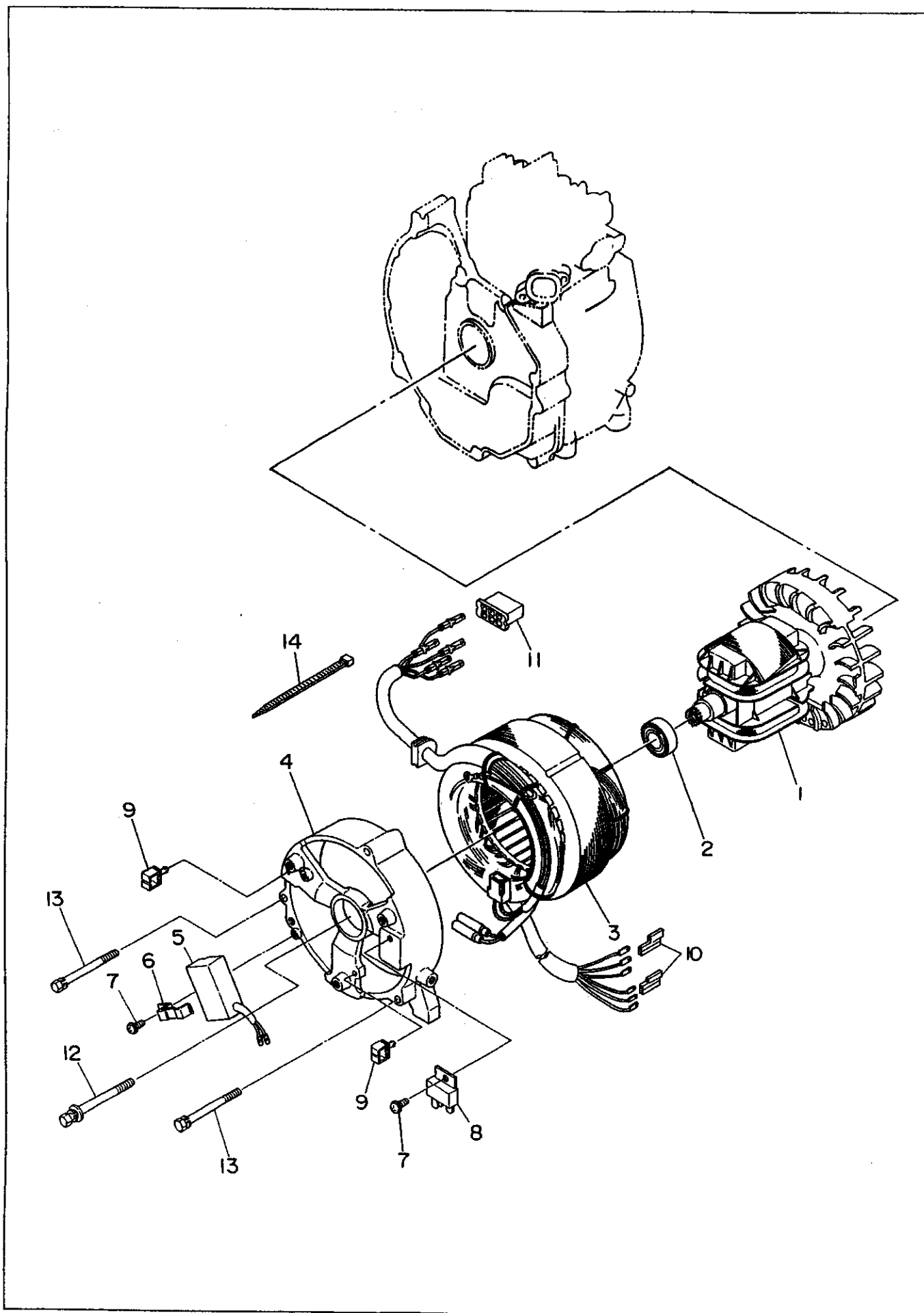
富士重工業株式会社
FUJI HEAVY INDUSTRIES LTD.

ISSUE	EMD-GP6493
ISSUE DATE	2008. 1

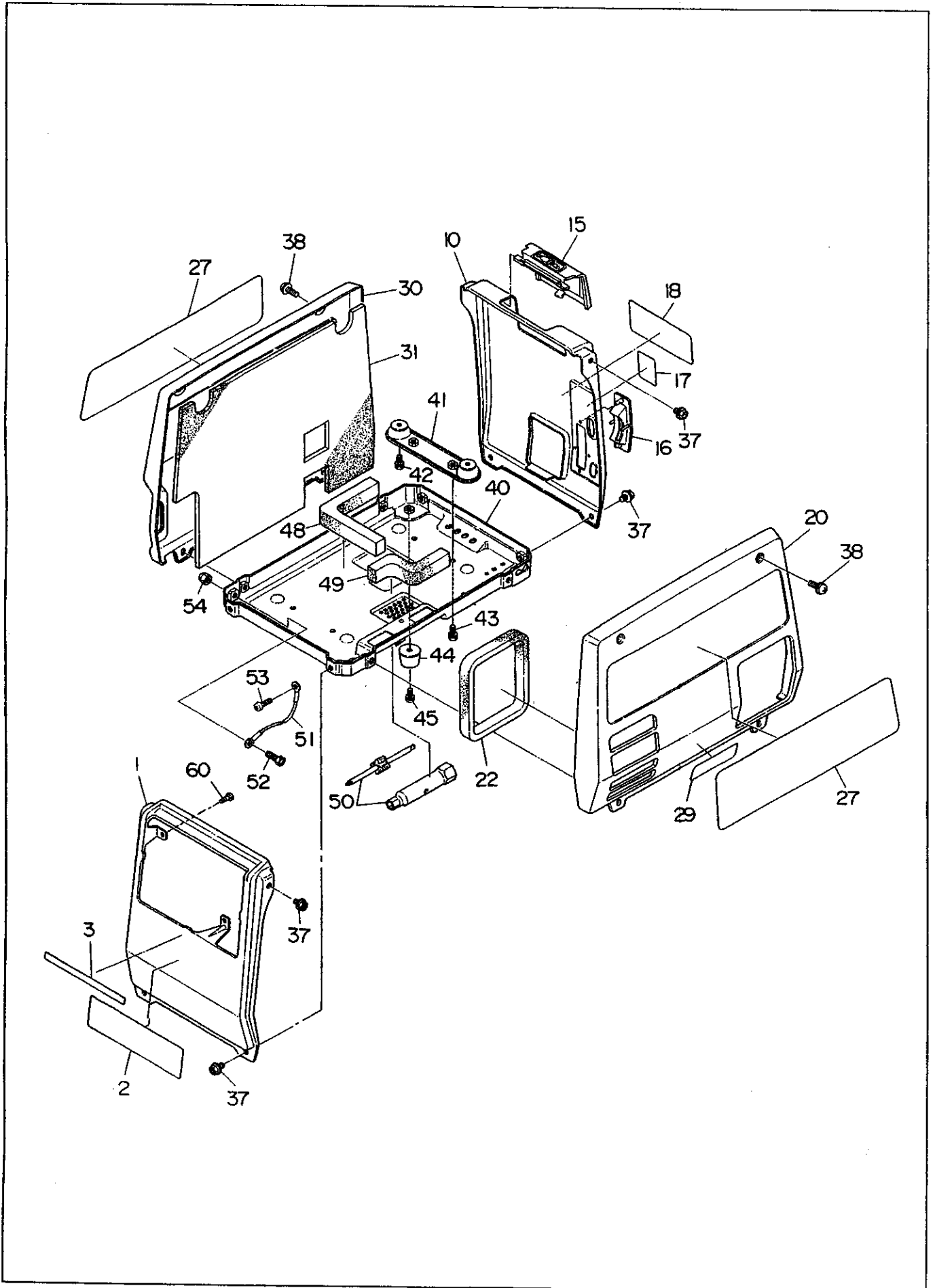




1. GENERATOR



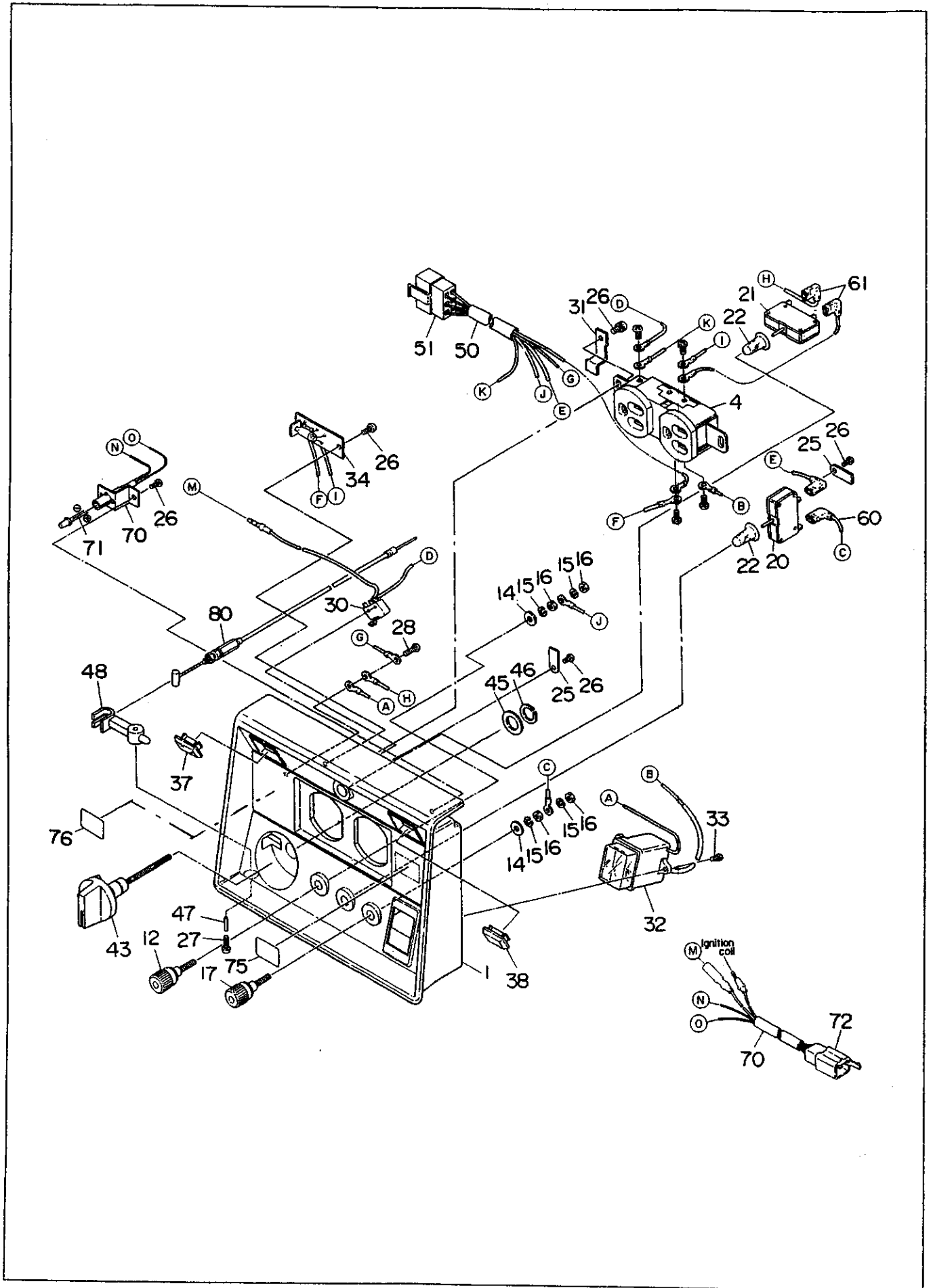
2. COVER



2. COVER

Ref.	Parts Number	Parts Name	Q'ty	Remarks	InterchangeP/N	Memo
1	358-53002-31	FRONT COVER CP	1	BLACK		
2	383-91727-03	LABEL,SG550	1			
3	383-97005-13	LABEL,DC-CAUTION	1			
10	383-50601-01	REAR COVER CP	1	BLACK		
15	383-55101-03	PLUG COVER	1			
16	383-55601-03	COVER	1			
17	073-20032-41	LABEL (50-60)	1			
18	383-91901-23	LABEL,SPEC	1	'05-5~		
	383-91901-13	LABEL,SPEC	1	'02-1~		
	383-91901-03	LABEL,SPEC	1			
20	383-51114-11	SIDE COVER (R) CP	1	RED		
22	383-55501-03	SEAL(EXHAUST)	1			
27	383-91728-03	LABEL,SG550	2			
29	358-95207-03	LABEL (CAUTION-S)	1			
30	358-53417-01	SIDE COVER (L) CP	1	Incl.31 RED		
31	383-55302-13	SPONGE (L)	1			
37	011-00600-60	FLANGE BOLT	8			
38	358-55201-03	FLANGE SCREW	8			
40	358-30601-51	BASE PLATE CP	1			
41	358-30101-11	MOUNT (A) CP	2			
42	001-14061-20	BOLT & WASHER AY	4			
43	001-16051-00	BOLT & WASHER AY	4			
44	358-30201-01	MOUNT (B) CP	4			
45	004-35051-00	SCREW & WASHER AY	4			
48	383-36101-03	SEAL 1 (BASE)	1			
49	383-36102-03	SEAL 2 (BASE)	1			
50	358-90301-10	ACCESSORY TOOL KIT	1			
51	358-35102-01	EARTH WIRE CP	1			
52	001-65061-20	BOLT	1			
53	004-31060-80	SCREW	1			
54	002-43060-01	CROWN NUT	1			
60	383-40769-08	TAPPING SCREW	3			

3. CONTROL PANEL

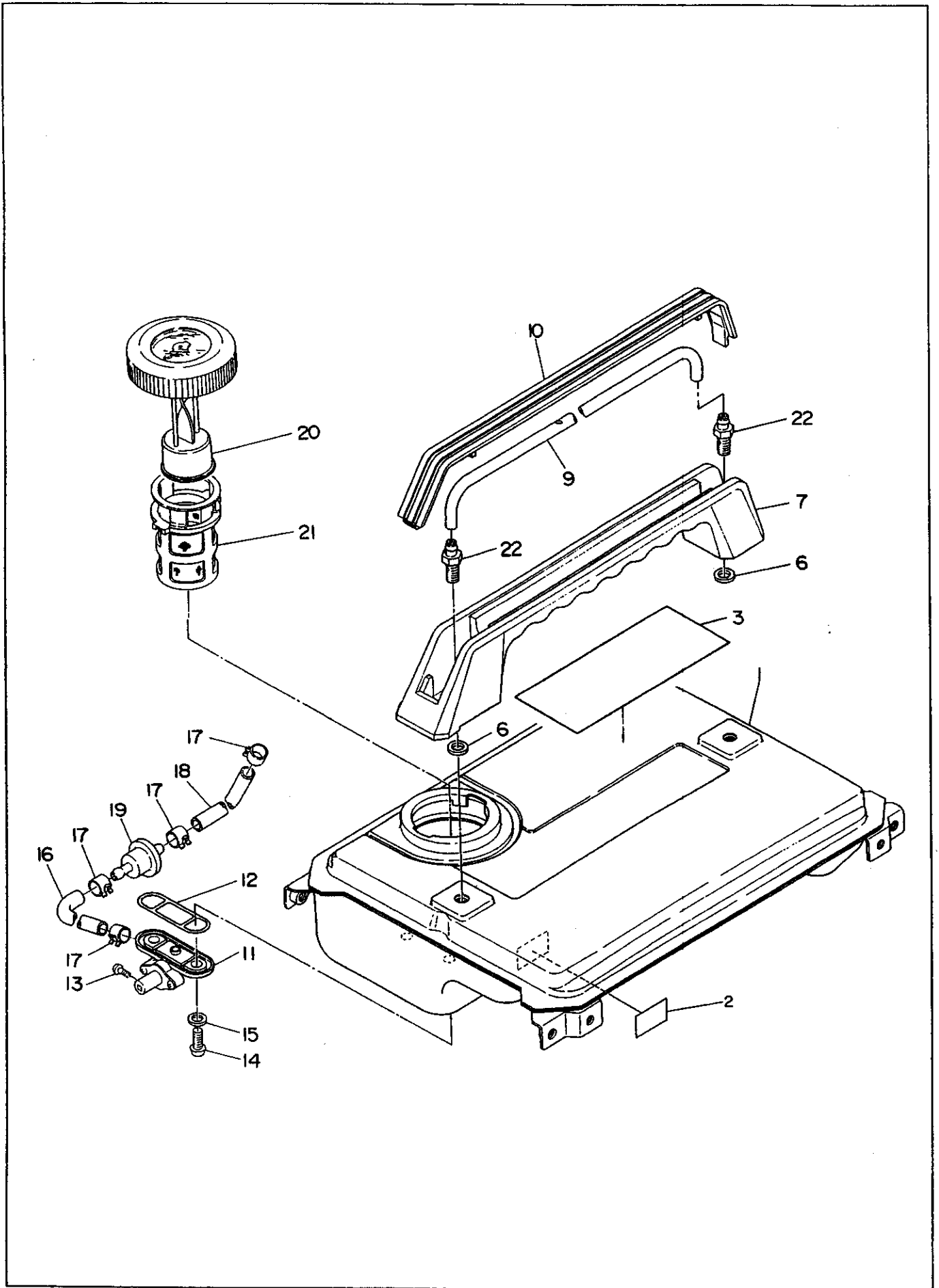


3. CONTROL PANEL

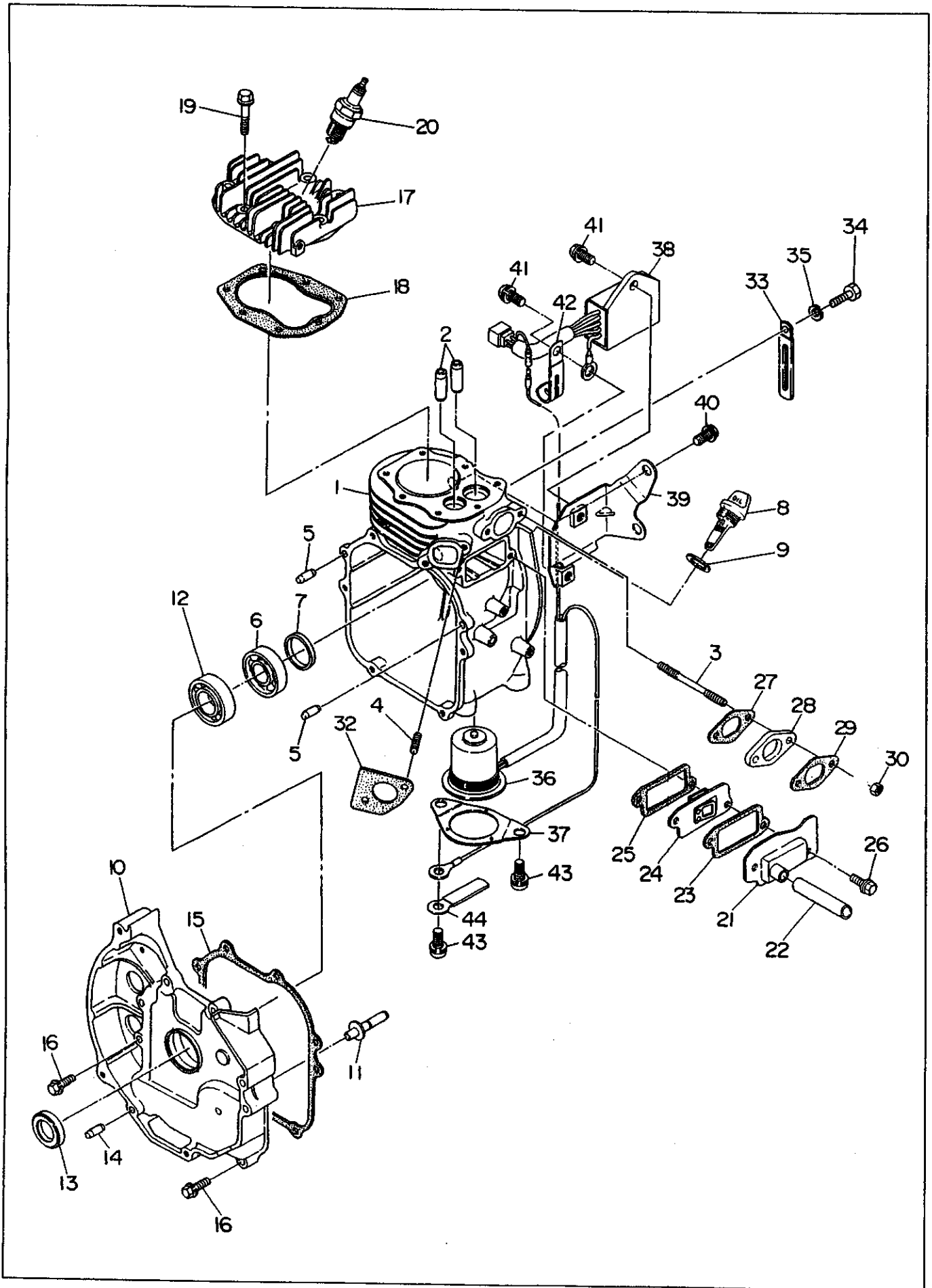
Ref.	Parts Number	Parts Name	Q'ty	Remarks	InterchangeP/N	Memo
1	383-40706-11	CONTROL PANEL CP	1	Incl.4~72		
	383-40600-08	PANEL	1			
4	383-40610-08	AC RECEPTACLE	1			
12	358-40608-08	TERMINAL BOLT	1	Incl.14~16 BLACK		
17	358-40607-08	TERMINAL BOLT	1	Incl.14~16 RED		
20	383-40633-08	CIRCUIT BREAKER	1	10A		
21	383-40634-08	CIRCUIT BREAKER	1	5A		
22	383-40750-08	CAP	2			
25	358-40655-08	CLAMP	2			
26	358-40660-08	TAPPING SCREW	6			
27	358-40669-08	TAPPING SCREW	1			
28	138-70251-08	SCREW & WASHER AY	1		004-36041-20	
30	358-40643-08	MICRO SWITCH	1			
31	383-40751-08	CLAMP	1			
32	383-40640-08	VOLT METER	1			
33	358-40661-08	TAPPING SCREW	2			
34	383-40691-08	LAMP	1			
37	358-40651-08	CAP	1	GREEN		
38	358-41133-08	CAP	1	CLEAR		
43	358-40644-08	KNOB	1			
45	358-40687-08	WASHER	1			
46	358-40653-08	CLIP	1			
47	358-40658-08	PIN	1			
48	383-40752-08	LEVER	1			
50	383-40650-08	WIRE HARNESS	1	Incl.51		
51	358-21021-08	CONNECTOR	1	6P		
60	383-40700-08	WIRE 1 CP	1	RED		
61	383-40701-08	WIRE 2 CP	2	BROWN		
70	358-40646-08	WIRE HARNESS CP	1	Incl.71,72		
71	358-41131-08	LED	1			
72	358-41132-08	CONNECTOR	1	4P		
75	383-95301-03	LABEL (Hz-V)	1			
76	073-20046-70	LABEL,WARNING	1			
80	383-45101-01	CHOKE WIRE CP	1			

RG006031450

4. FUEL TANK



5. CRANKCASE

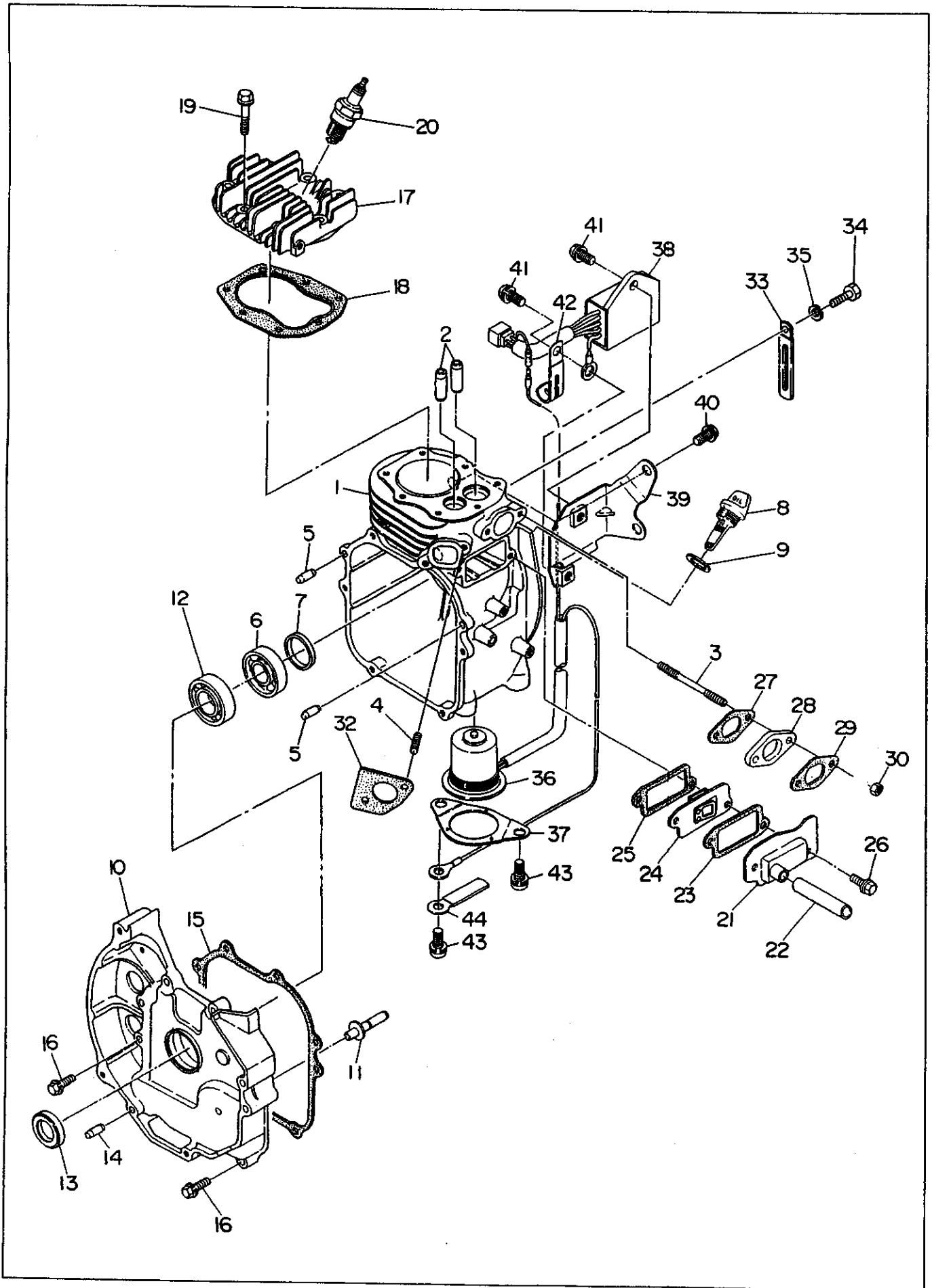


5. CRANKCASE

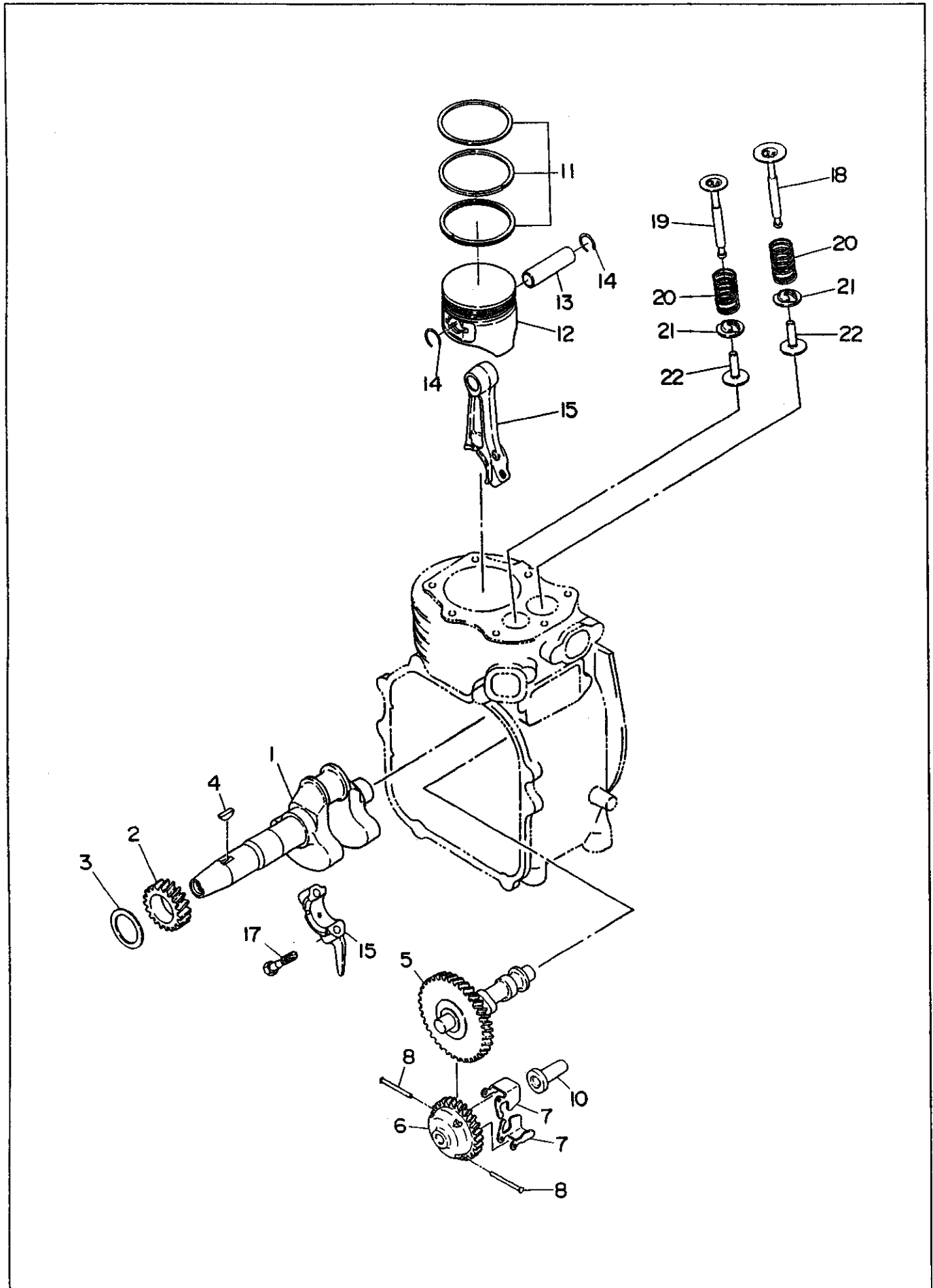
Ref.	Parts Number	Parts Name	Q'ty	Remarks	InterchangeP/N	Memo
1	230-10202-31	CRANK CASE CP	1	Incl.2~7 '99-5~		
	230-10202-11	CRANK CASE CP	1	Incl.2~7		
2	230-14202-03	VALVE GUIDE	2			
3	010-50601-60	STUD	2			
4	010-50601-70	STUD	2			
5	031-00600-20	DOWEL PIN	2			
6	060-02001-30	BALL BEARING	1	'99-5~		
	060-01700-30	BALL BEARING	1			
7	230-17102-03	PLUG (RUBBER)	1	'99-5~		
	230-17101-03	PLUG (RUBBER)	1			
8	230-63601-11	OIL GAUGE CP	1	Incl.9 '07-2~		
	230-63601-01	OIL GAUGE CP	1	Incl.9 '02-7~	230-63601-11	
	230-63601-13	OIL GAUGE	1			
9	021-31600-20	GASKET	1			
10	230-11201-31	MAIN BEARING COV CP	1	Incl.11~14 '99-5~		
	230-11201-21	MAIN BEARING COV CP	1	Incl.11~14	230-11201-31	
12	060-02001-30	BALL BEARING	1	'99-5~		
	060-02001-00	BALL BEARING	1		060-02001-30	
13	044-02000-70	OIL SEAL	1			
14	031-00600-20	DOWEL PIN	2			
15	230-16001-03	GASKET(BEARING COV)	1			
16	001-13062-50	BOLT & WASHER AY	8			
17	230-13101-03	CYLINDER HEAD	1			
18	230-15001-11	GASKET CP(HEAD)	1	'02-5~		
	230-15001-01	GASKET CP(HEAD)	1		230-15001-11	
19	011-00600-90	FLANGE BOLT	7			
20	065-01403-80	SPARK PLUG	1	NGK BMR4A		
21	230-14301-01	TAPPET COVER CP	1			
22	085-10802-41	RUBBER PIPE	1	8DX11DX48L	085-10800-00	
23	230-16006-13	GASKET(TAPPET COV)	1	'02-5~		
	230-16006-03	GASKET(TAPPET COV)	1		230-16006-13	
24	230-14401-01	BREATHER PLATE CP	1			
25	230-16007-03	GASKET (BREATHER)	1			
26	011-00600-20	FLANGE BOLT	2			

RG006031450

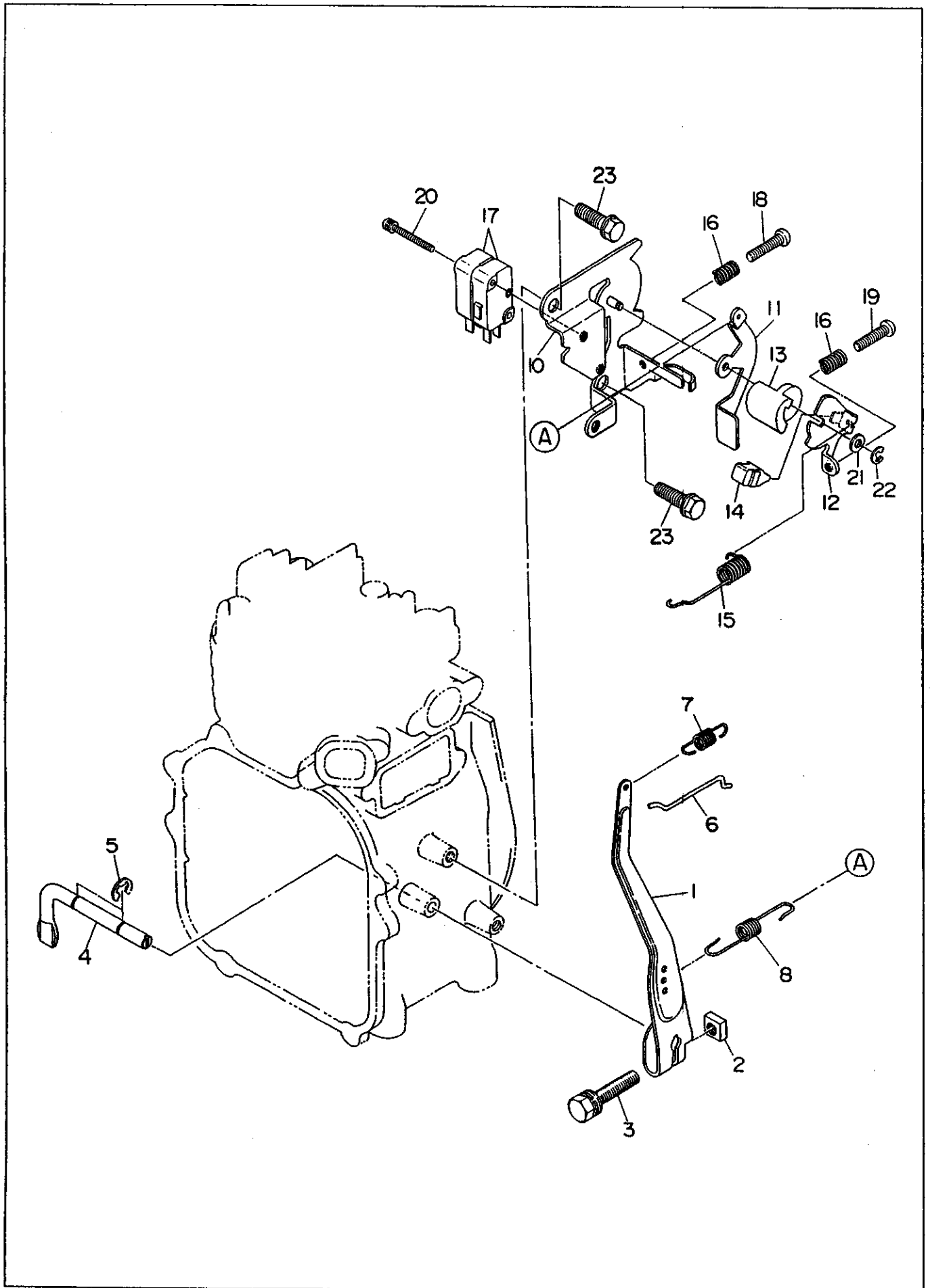
5. CRANKCASE



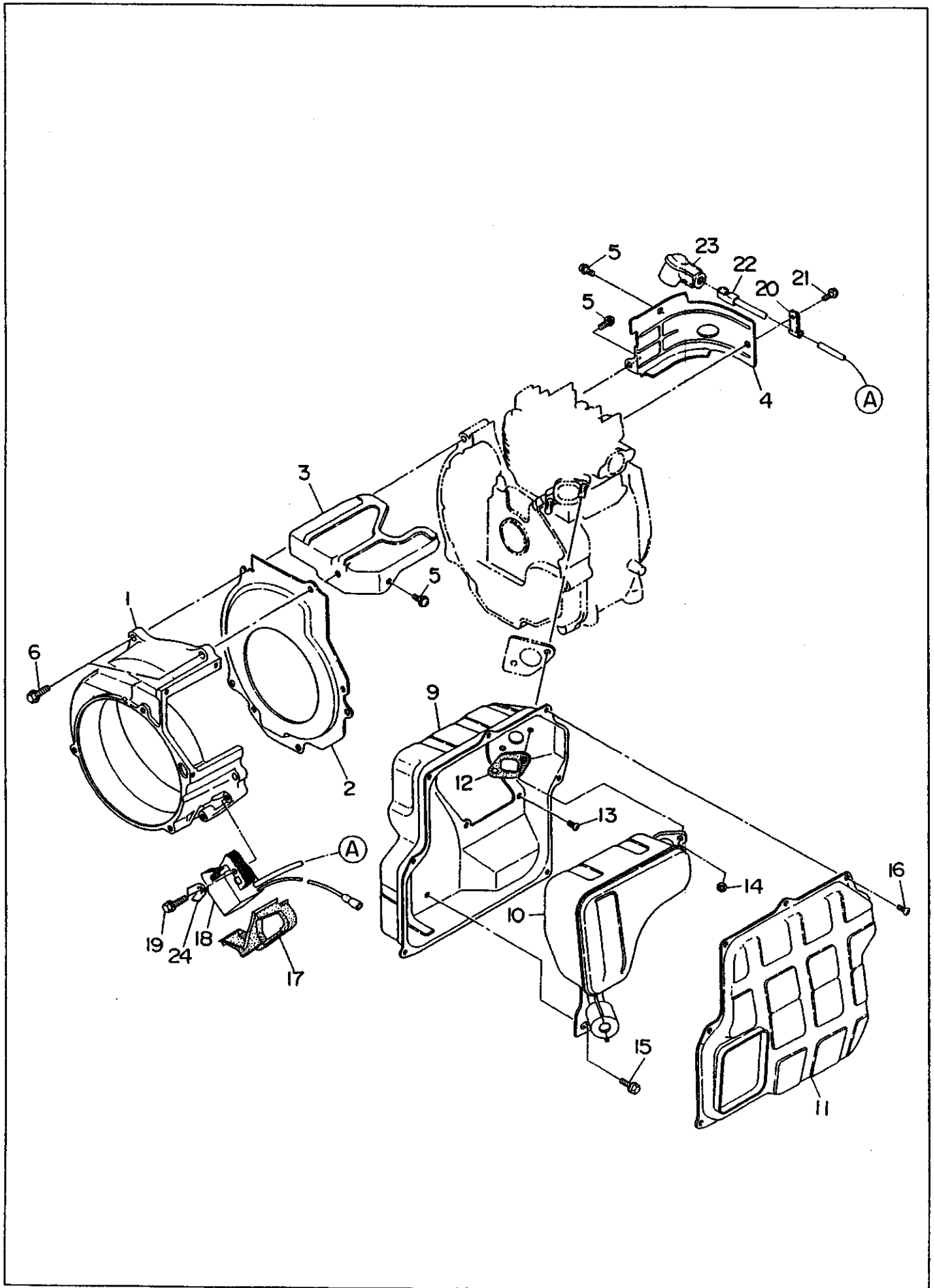
6. CRANKSHAFT, PISTON, CAMSHAFT



7. GOVERNOR



8. MUFFLER, FRONT HOUSING

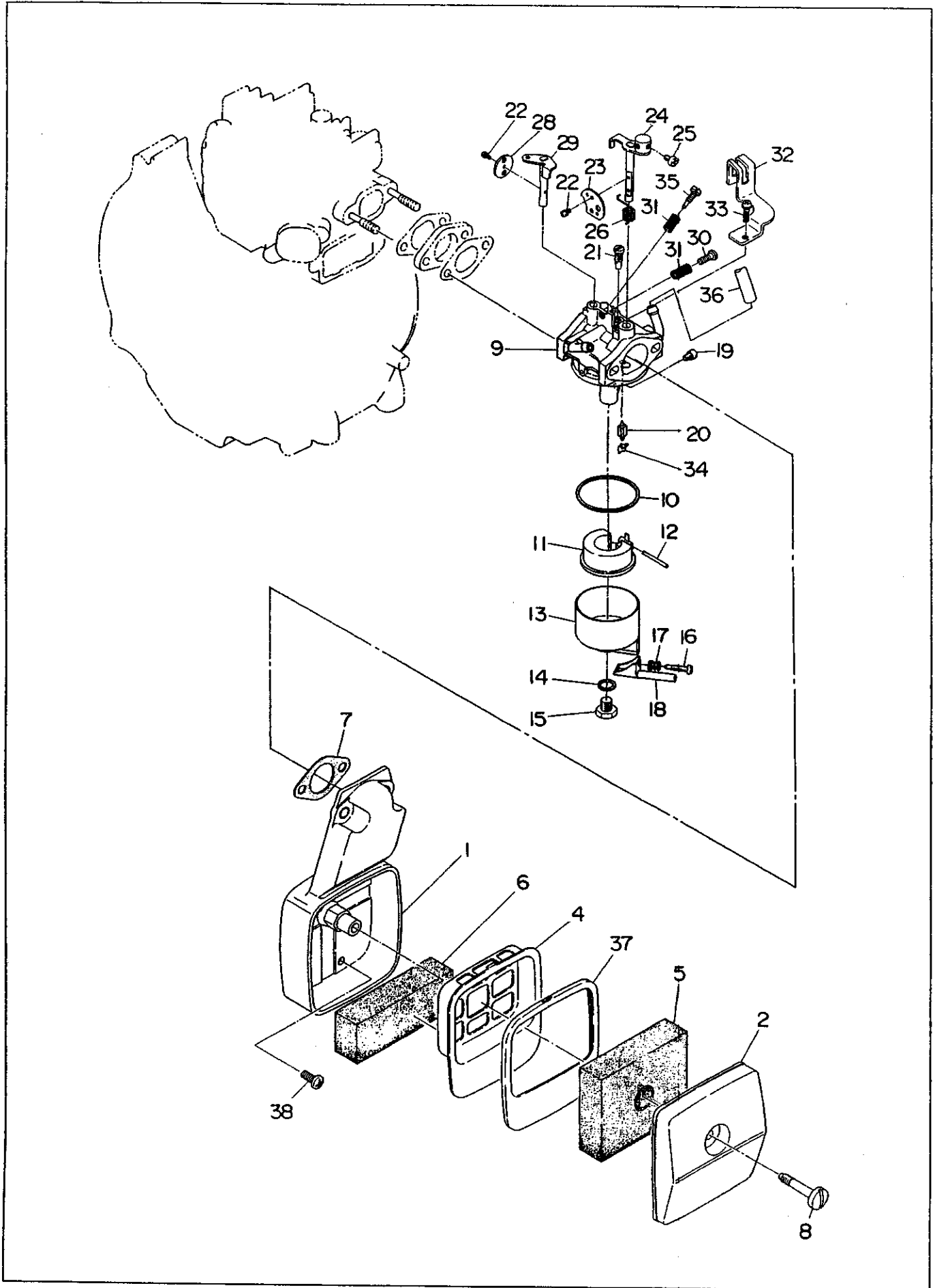


8. MUFFLER, FRONT HOUSING

Ref.	Parts Number	Parts Name	Q'ty	Remarks	InterchangeP/N	Memo
1	230-56002-03	FRONT HOUSING	1			
2	230-53002-13	CENTER BAFFLE	1			
3	230-52801-62	HEAD COVER UN	1	'06-9~		
	230-52801-52	HEAD COVER UN	1		230-52801-62	
4	230-52903-03	CYLINDER BAFFLE	1			
5	004-35051-00	SCREW & WASHER AY	3			
6	001-13062-50	BOLT AND WASHER AY	4			
9	230-34220-01	MUFFLER COVER 1 CP	1	'06-12~		
	230-34213-03	MUFFLER COVER 1	1		230-34220-01	
10	230-30502-11	MUFFLER CP	1			
11	230-34222-01	MUFFLER COVER 2 CP	1	'06-12~		
	230-34214-03	MUFFLER COVER 2	1		230-34222-01	
12	230-35204-01	GASKET CP(EXHAUST)	1	'02-5~		
	230-35201-01	GASKET CP(EXHAUST)	1		230-35204-01	
13	004-31050-80	SCREW,PANHEAD	4			
14	002-19060-00	NUT	2			
15	011-00600-20	FLANGE BOLT	1			
16	015-20500-10	TAPPING SCREW	7			
17	230-75501-23	GROMMET (IG-COIL)	1			
18	230-70306-21	IGNITION COIL CP	1	'01-2~		
	230-70306-11	IGNITION COIL CP	1		230-70306-21	
19	001-17062-50	BOLT & WASHER AY	2			
20	056-60002-50	CLAMP	1			
21	011-00600-10	FLANGE BOLT	1			
22	065-90000-10	PLUG TERMINAL	1			
23	230-75101-13	SPARK PLUG CAP	1			
24	230-75701-03	CLAMP	2			

RG006031450

9. CARBURETOR, AIR CLEANER

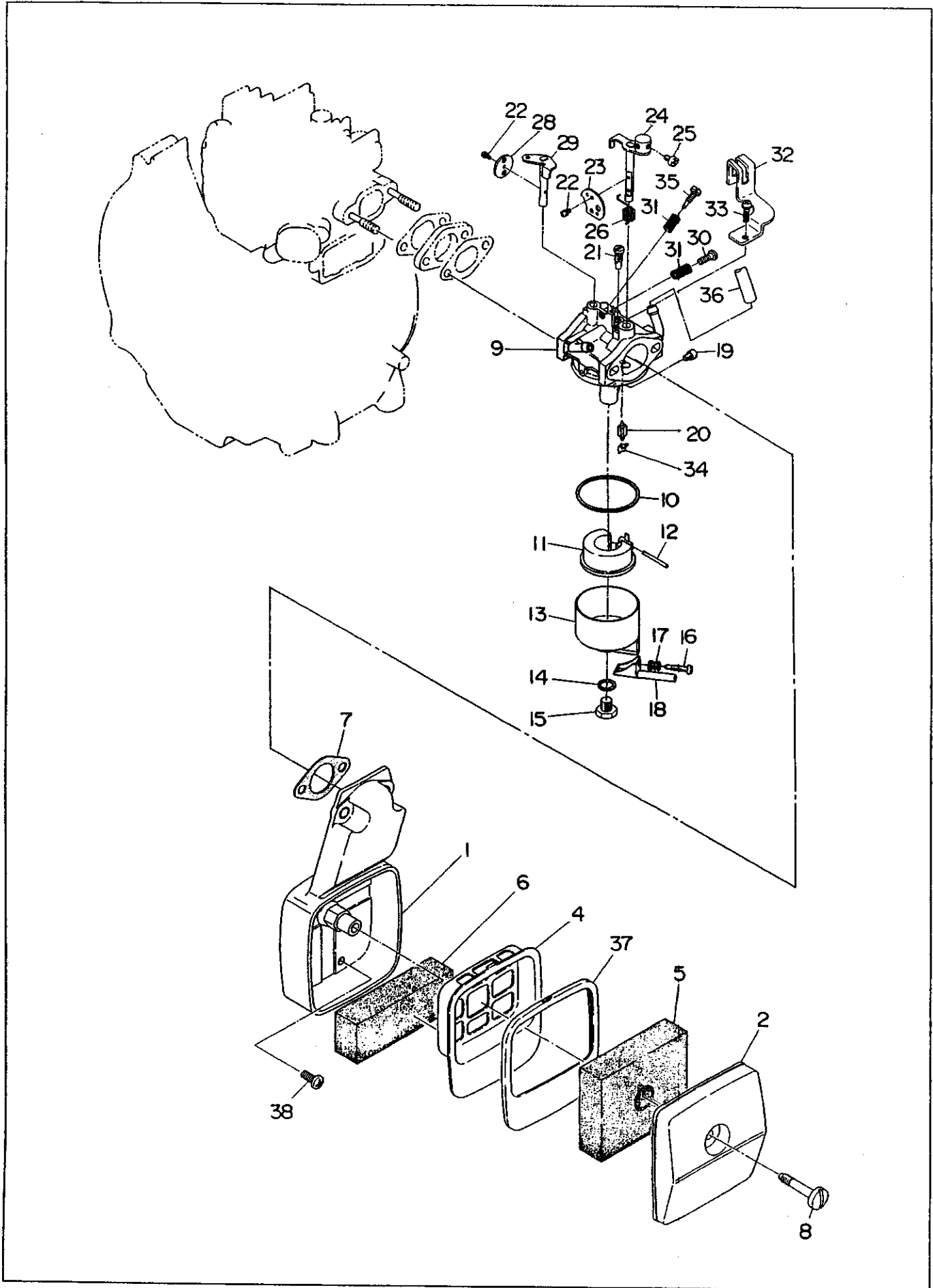


9. CARBURETOR, AIR CLEANER

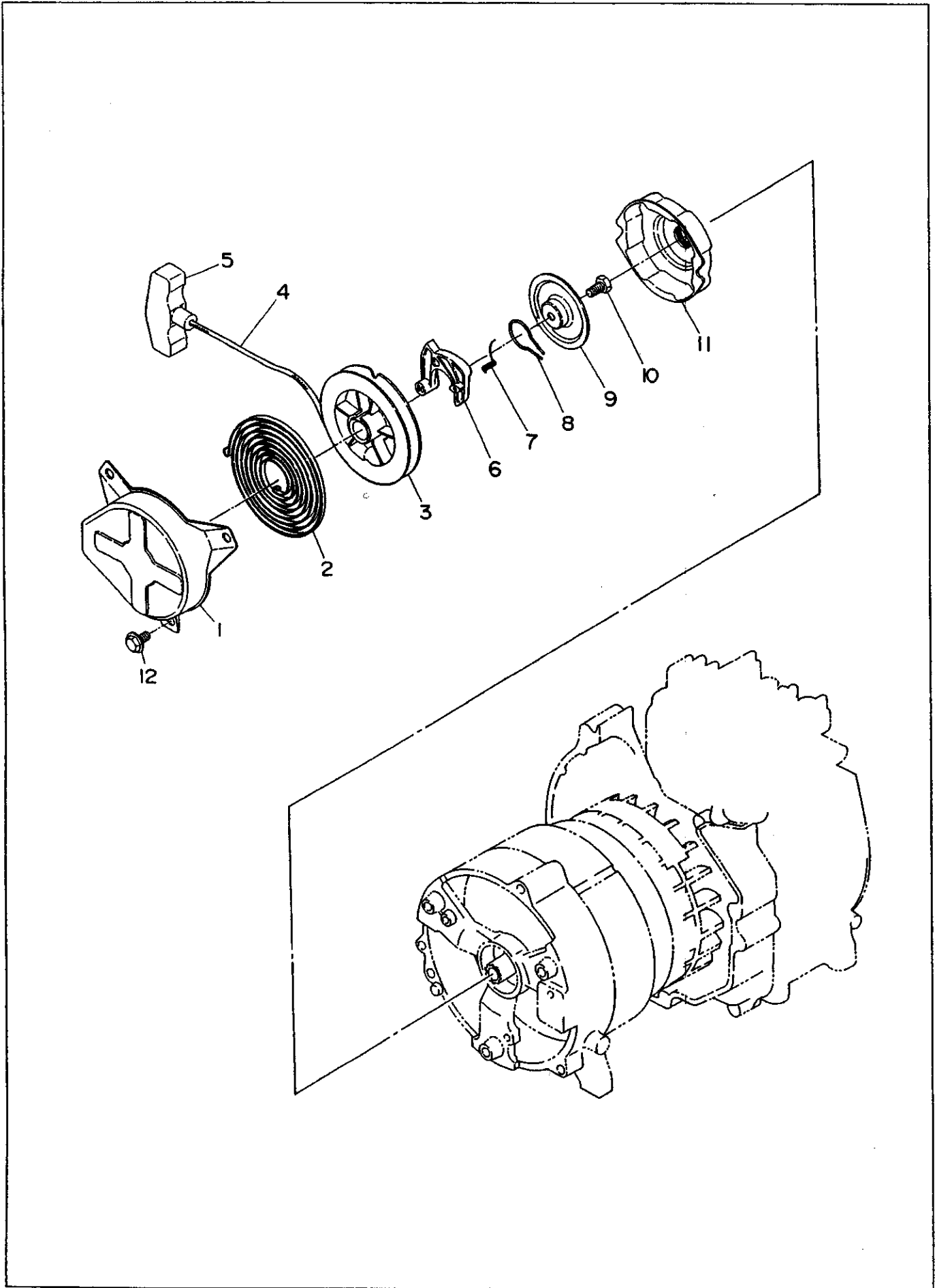
Ref.	Parts Number	Parts Name	Q'ty	Remarks	InterchangeP/N	Memo
1	230-35502-22	CLEANER CASE UN	1			
2	230-35501-33	CLEANER COVER	1			
4	230-36101-23	ELEMENT RETAINER	1			
5	230-36102-03	CLEANER ELEMENT	1			
6	230-36103-13	CLEANER ELEMENT 2	1			
7	230-36003-03	GASKET,AIR CLEANER	1			
8	230-36201-03	BOLT,CLEANER COVER	1			
9	230-62402-30	CARBURETOR AY	1	Incl.10~35		
10	230-62540-08	PACKING	1			
11	230-62506-08	FLOAT AY	1			
12	214-62515-08	PIN	1			
13	230-62554-08	FLOAT CHAMBER BODY	1			
14	209-62345-08	INSERT WASHER	1			
15	230-62457-08	BOLT	1			
16	224-62450-08	SCREW	1			
17	230-62446-08	SPRING	1			
18	230-62561-08	CAP	1			
19	230-62400-08	MAIN JET	1	#55		
20	226-62500-08	NEEDLE VALVE AY	1			
21	128-62420-08	PILOT JET	1	#37.5		
22	237-62451-08	SCREW	3			
23	230-62527-08	CHOKE VALVE	1			
24	230-62521-18	SHAFT AY,CHOKE	1			
25	209-62354-08	CROSS SCREW	1			
26	230-62447-08	SPRING	1			
28	230-62537-08	THROTTLE VALVE	1	#130		
29	230-62530-08	SHAFT ASSY,THROTTLE	1			
30	209-62352-08	SCREW	1			
31	206-62446-08	SPRING	2			
32	230-62572-08	BRACKET	1			
33	230-62455-08	SCREW	1			
34	226-62701-08	CLIP	1			
35	209-62305-08	PILOT SCREW	1			
36	230-68507-03	PIPE,AIR VENT	1	5DX8DX320L RUBBER		

RG006031450

9. CARBURETOR, AIR CLEANER



10. RECOIL STARTER



11. ACCESSORIES

