

---

Model **SGi14**

# **PARTS CATALOG**

Spec. No. RAS17031001  
(E/G Spec.No. EH092DN8510)

## CONTENTS

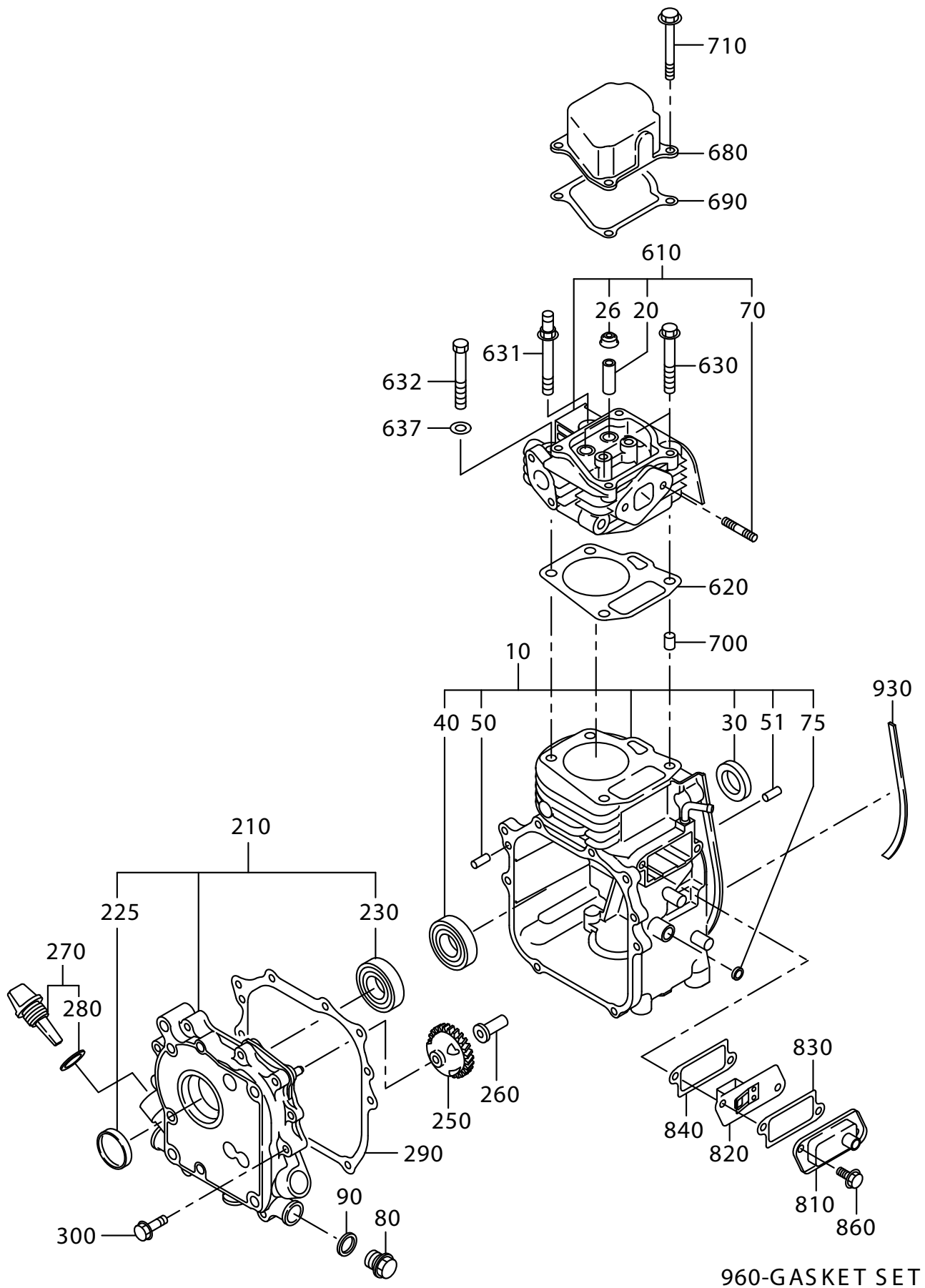
### ENGINE

		FIG.
1	CRANKCASE	105
2	CRANKSHAFT, PISTON	205
3	INTAKE, EXHAUST	305,317
4	GOVERNOR, OPERATION	405
5	COOLING, STARTING	505,525
6	FUEL, LUBRICANT	605,647
7	ELECTRIC DEVICE	705,775

### GENERATOR

		FIG.
22	GENERATOR	2200
23	BASE FRAME	2300
24	CONTROL	2400
25	COVER	2500
26	FUEL TANK	2600
29	ACCESSORIES	2900

FIG. 105



# 1 CRANKCASE

REF.	PART NUMBER	PART NAME	QTY	R E M A R K S	CODE NO.	INTERCHANGE P/NO.	UNIT P	FIG.
10	284-10103-11	CRANKCASE CP	1		6880-			105
	284-10103-01	CRANKCASE CP	1		-6879	284-10103-11		105
20	237-14202-03	VALVE GUIDE	2	5.5DX9.5DX27L	-			105
26	277-16010-01	STEM SEAL	1	5.5DX9.5DX15DX7.8B	-			105
30	044-02000-70	OIL SEAL	1	20DX32DX6B	-			105
40	060-02001-40	BALL BEARING	1	20DX42DX12B	-			105
50	031-00600-20	DOWEL PIN	2	6DX14.5L	-			105
51	277-15011-03	PIPE KNOCK	2	10.3DX8.5DX14L	-			105
70	010-50604-20	STUD	2	M6X1.0X84L	-			105
75	044-00600-20	OIL SEAL	1	6DX10DX2.5B	-			105
80	040-11400-30	PLUG	1	M14X1.5X20DX12L	-			105
90	021-11400-20	GASKET	1	14.1DX19DX2.3T	-			105
210	284-11201-21	MAINBEARING COVER CP	1		-			105
225	230-17102-03	PLUG (RUBBER)	1	32DX5T	-			105
230	060-02001-40	BALL BEARING	1	20DX42DX12B	-			105
250	284-45003-01	GOVERNOR GEAR CP	1	44DX20T N=26	-			105
260	205-41901-03	GOVERNOR SLEEVE	1	6DX9DX16DX26L	-			105
270	230-63601-11	OIL GAUGE CP	1	M18X1.5 L=38+18	-			105
280	021-31600-20	GASKET	1	16DX23DX1.2T RUBBER	-	X21-31600-20		105
290	284-16003-03	GASKET(BEARING COVER)	1	T=0.3	-			105
300	011-00601-01	FLANGE BOLT	8	M6X1.0X13DX28L	-			105
610	284-13003-11	CYLINDER HEAD CP	1		6972-			105
	284-13003-01	CYLINDER HEAD CP	1		-6971			105
620	284-15001-13	GASKET (HEAD)	1	T=0.2	-			105
630	011-00802-10	FLANGE BOLT	2	M8X1.25X16DX55L	-			105
631	011-00803-01	FLANGE BOLT	1		-			105
632	010-00804-20	BOLT	1	M8X1.25X60L	-			105
637	020-00802-10	WASHER	1	8.5DX17DX3.2T	-			105
680	284-15501-03	ROCKER COVER	1		-			105
690	284-16007-03	GASKET(ROCKER COVER)	1	T=0.5	7396-			105
	284-16004-03	GASKET(ROCKER COVER)	1	T=0.7	-7395	284-16007-03		105
700	277-15011-03	PIPE KNOCK	2	10.3DX8.5DX14L	-			105
710	011-00604-20	FLANGE BOLT	4		-			105
810	284-14301-01	BREATHER COVER CP	1		-			105
820	284-14401-01	BREATHER PLATE CP	1		-			105
830	230-16006-13	GASKET(TAPPET COVER)	1	T=0.8	-			105
840	230-16007-03	GASKET (BREATHER)	1	T=2	-			105
860	011-00600-20	FLANGE BOLT	2	M6X1.0X14DX12L	-			105
930	33K-58317-03	SPONGE CRANK	1		-			105
960	284-99002-17	GASKET SET	1		-			105

FIG. 205

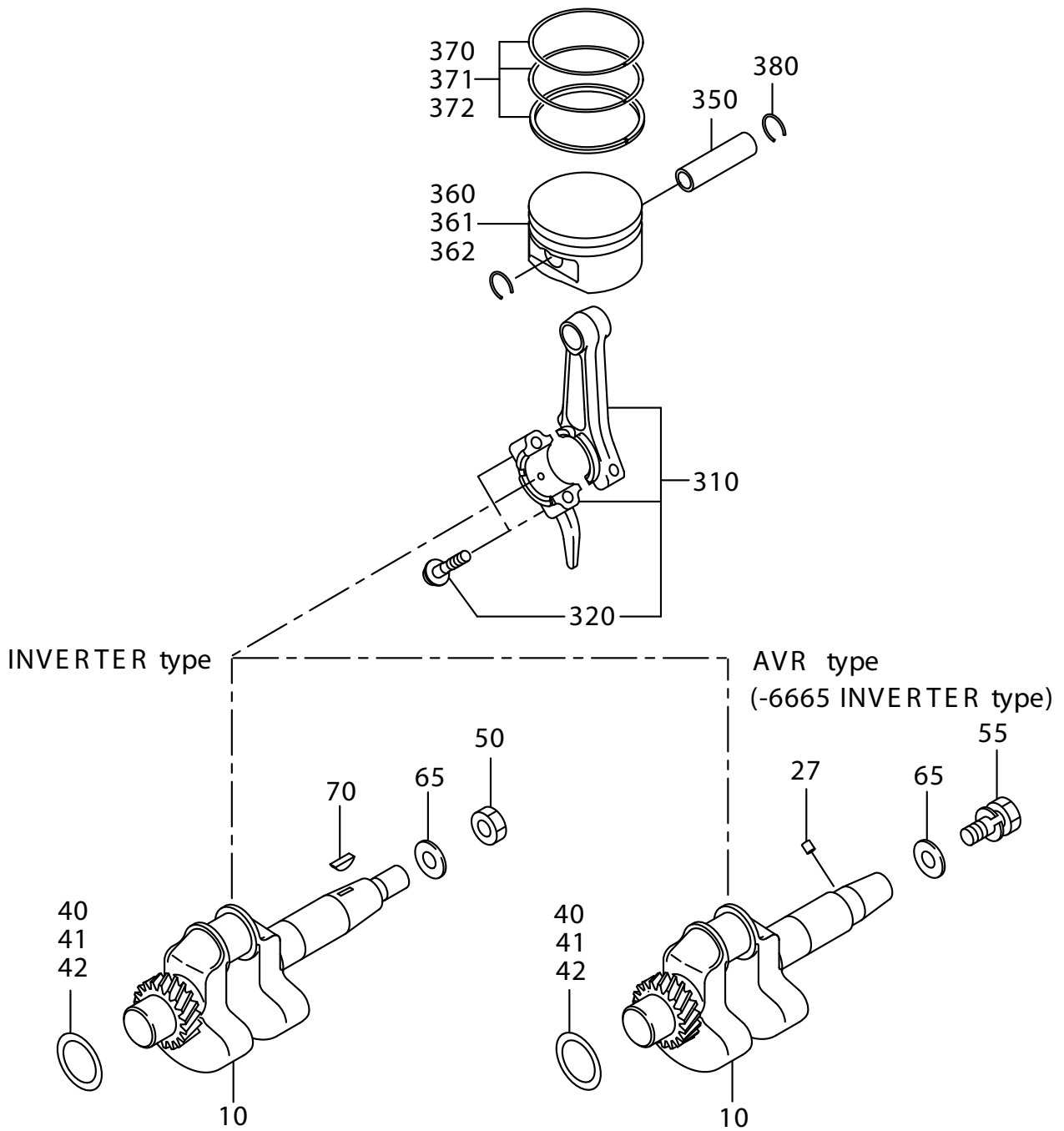




FIG. 305

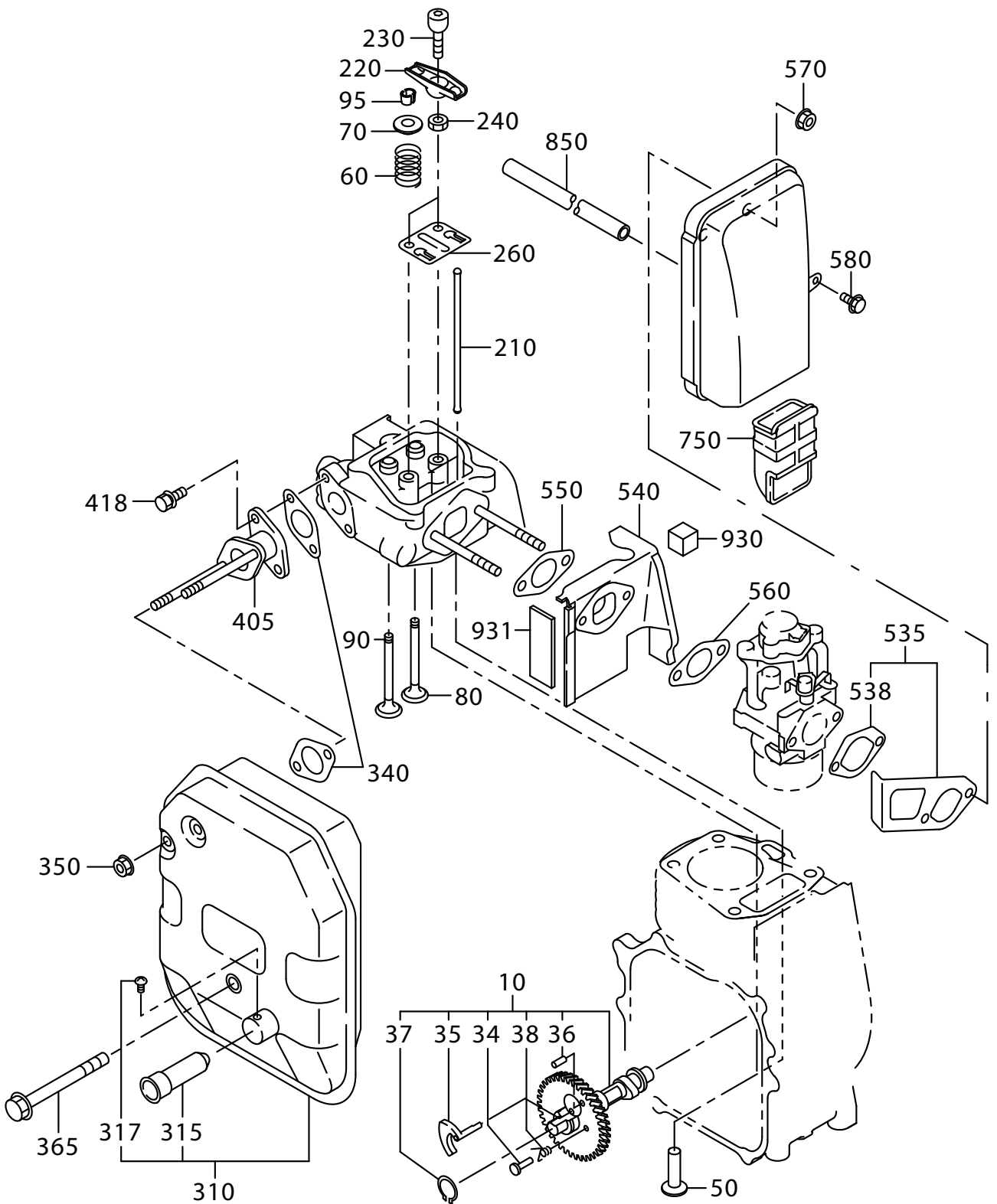






FIG. 317

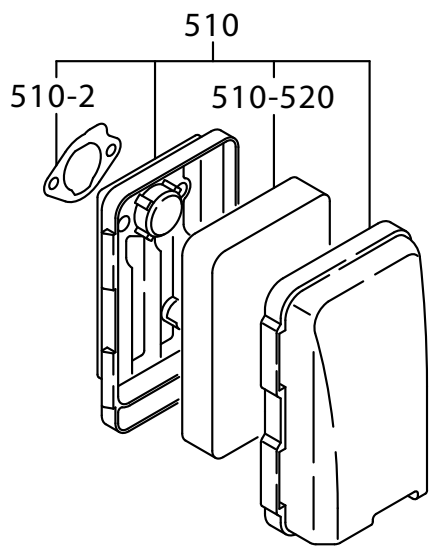




FIG. 405

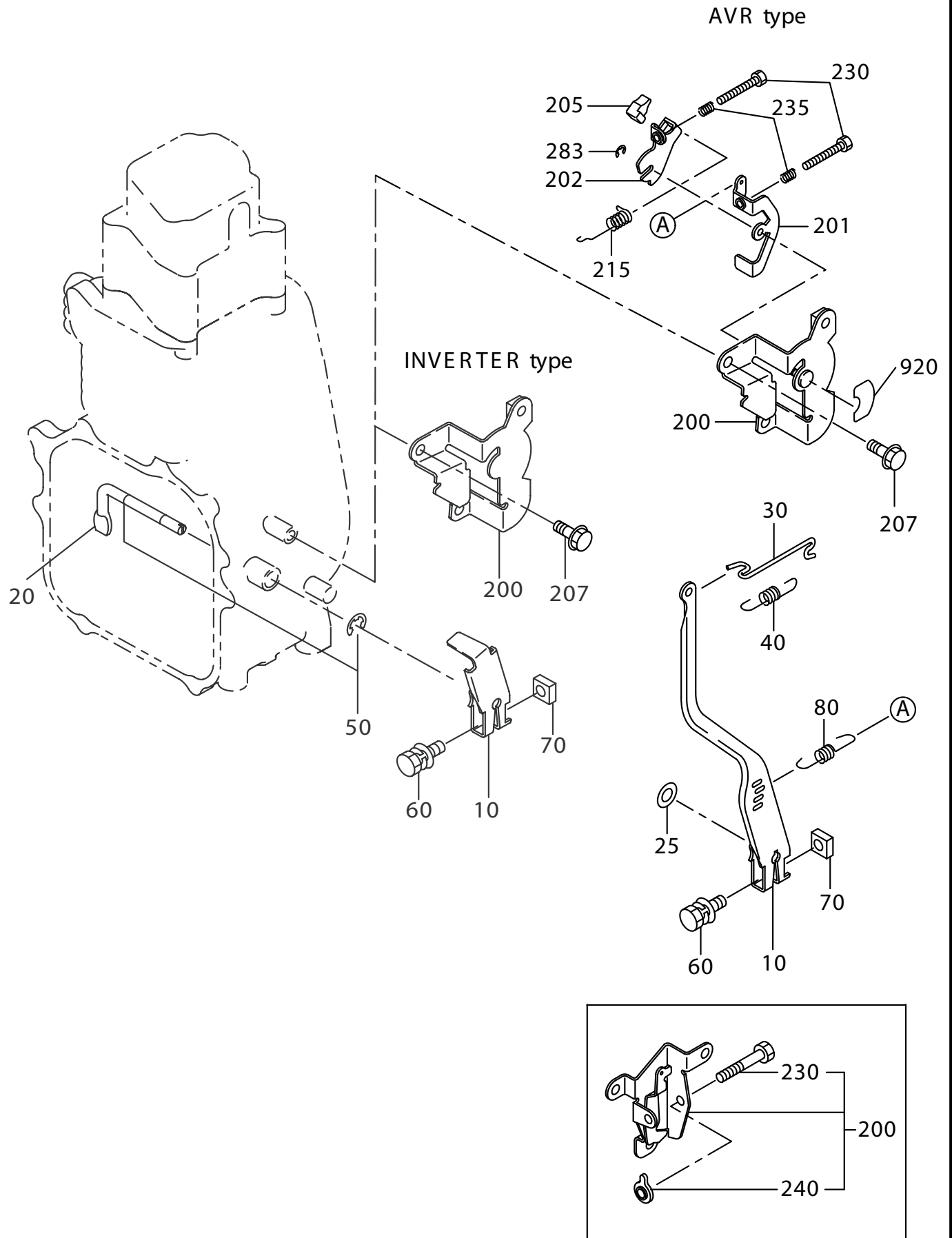




FIG. 505

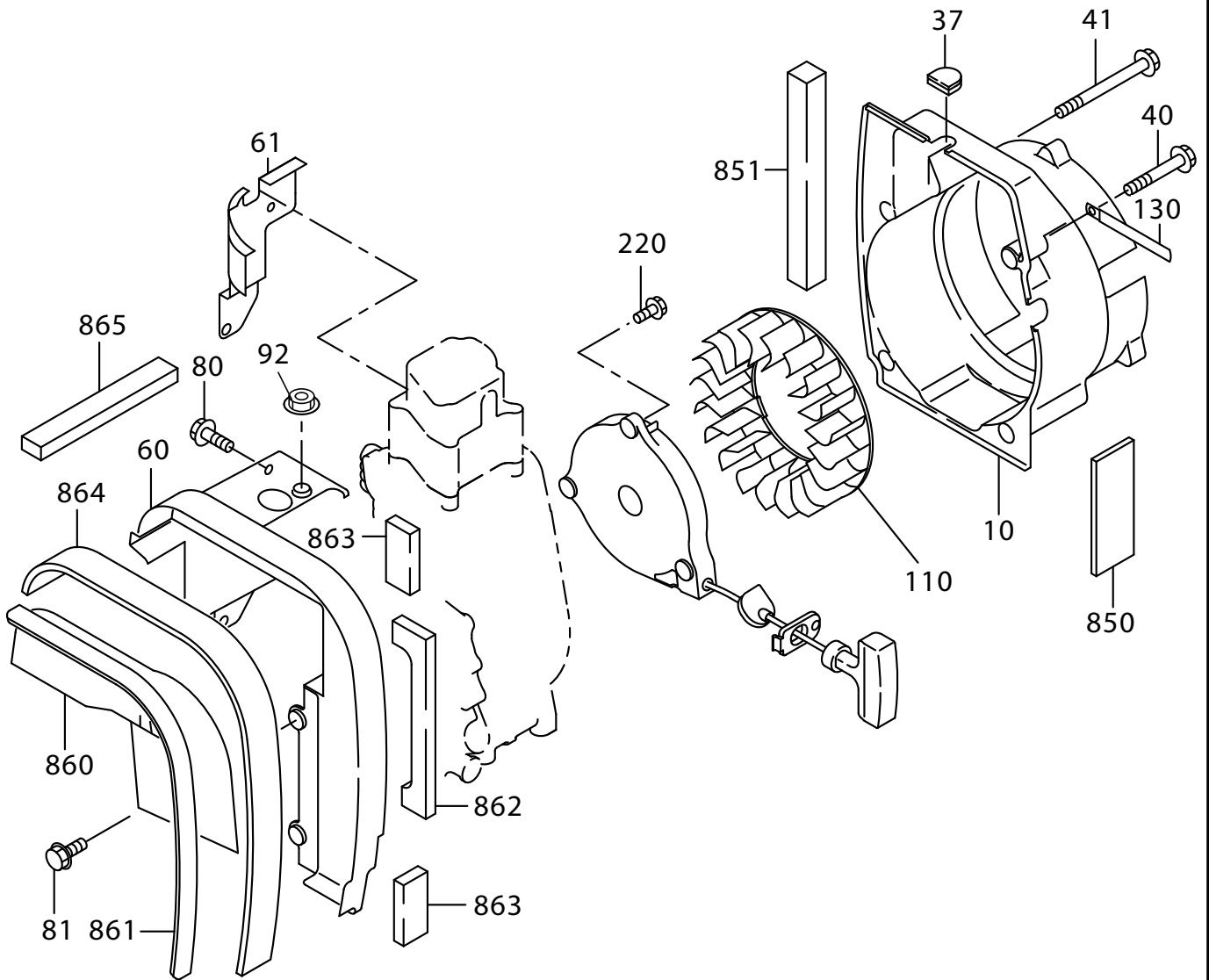




FIG. 525

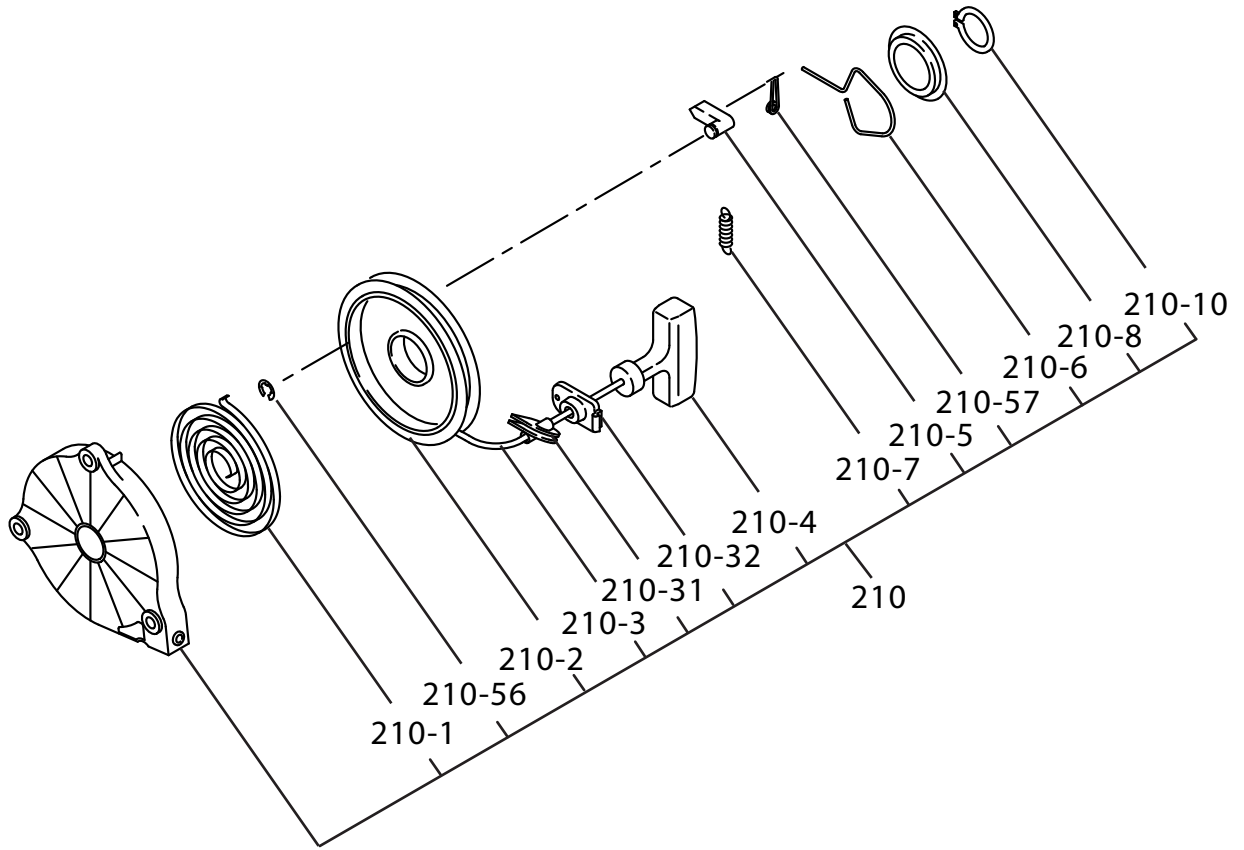






FIG. 605

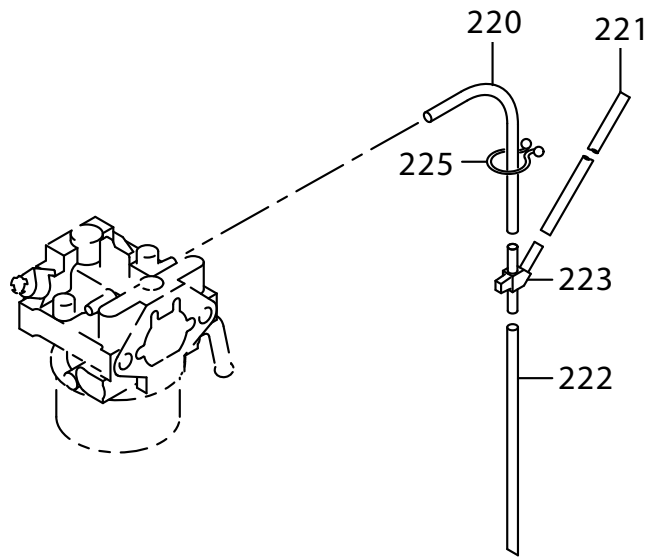
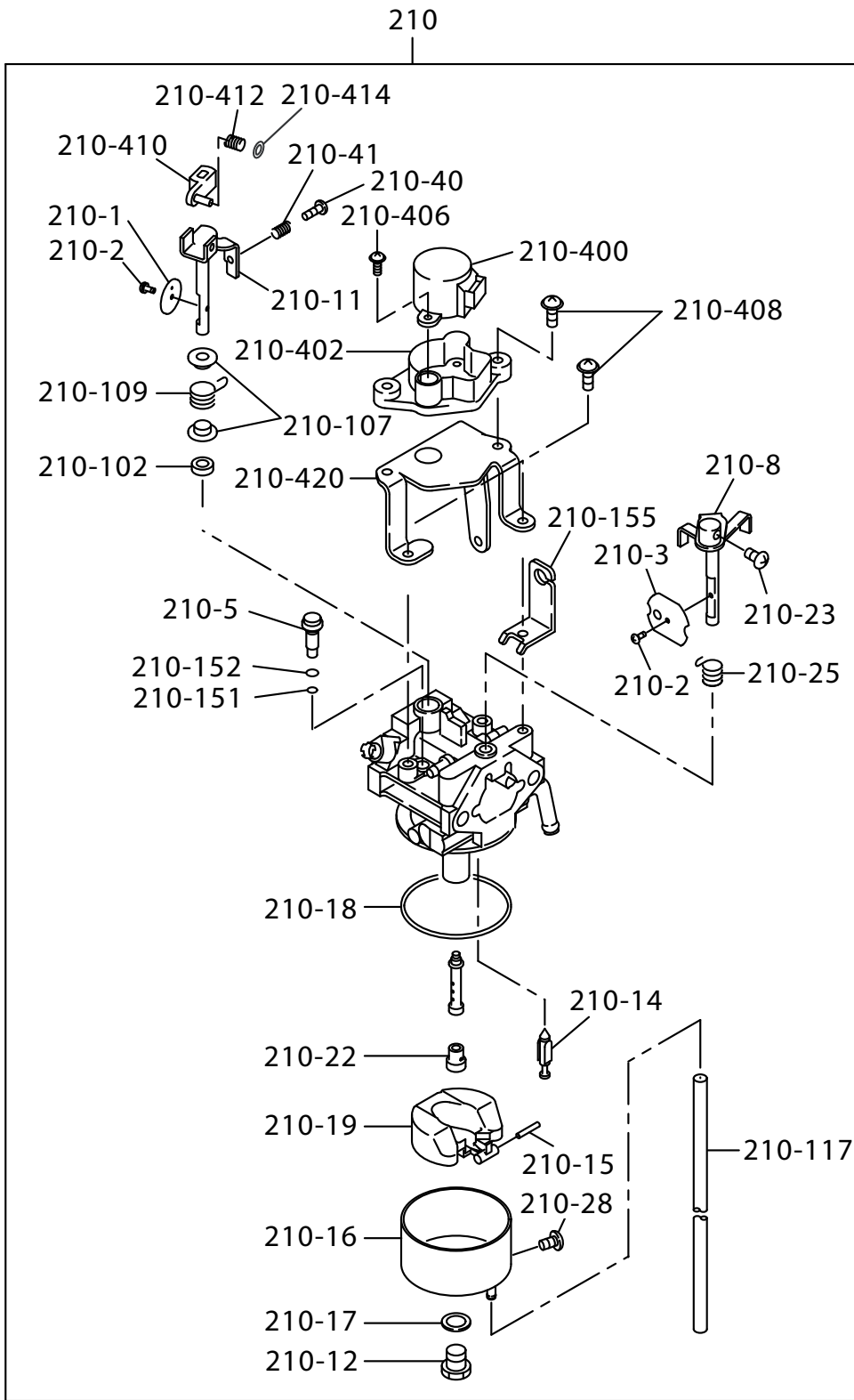




FIG. 647



## 6 FUEL, LUBRICANT

REF.	PART NUMBER	PART NAME	QTY	R E M A R K S	CODE NO.	INTERCHANGE P/NO.	UNIT P	FIG.
210	284-62302-30	CARBURETOR AY	1		6696-			647
	284-62302-20	CARBURETOR AY	1		-6695			647
- 1	284-62535-08	THROTTLE VALVE	1		-			647
- 2	284-62455-08	SCREW	2		-			647
- 3	284-62527-08	VALVE, CHOKE	1		6696-			647
	284-62525-08	VALVE CHOKE	1		-6695			647
- 5	284-62420-08	SLOW JET	1		-			647
- 8	284-62520-08	SHAFT AY CHOKE	1		-			647
- 11	284-62531-18	SHAFT SUB AY	1		6696-			647
	284-62531-08	SHAFT AY, THROTTLE	1		-6695			647
- 12	284-62355-08	SCREW	1		-			647
- 14	279-62500-08	VALVE ASSY, NEEDLE	1		-			647
- 15	284-62515-08	PIN, FLOAT LEVER	1		-			647
- 16	284-62550-08	CHAMBER AY, FLOAT	1		-			647
- 17	251-62350-08	GASKET	1		-			647
- 18	284-62540-08	GASKET, CHAMBER	1		-			647
- 19	284-62505-08	FLOAT AY	1		-			647
- 22	284-62400-08	MAIN JET	1	#63	-			647
- 23	284-62456-08	SCREW	1		-			647
- 25	284-62445-08	SPRING, CHOKE	1		-			647
- 28	251-62661-08	DRAIN SCREW	1		-			647
- 40	284-62353-08	SCREW, ADJUST	1		-			647
- 41	279-62445-08	SPRING	1		-			647
-102	251-62559-08	BUSH	1		-			647
-107	284-62561-08	COLLAR	2		-			647
-109	284-62315-18	SPRING, THROTTLE	1		6696-			647
	284-62315-08	SPRING THROTTLE	1		-6695			647
-117	284-62566-18	PIPE	1		-			647
-151	284-62450-08	O-RING	1		-			647
-152	284-62451-08	O-RING	1		-			647
-155	284-62570-18	BRACKET, WIRE	1		-			647
-400	284-62580-08	MOTOR	1		-			647
-402	284-62576-18	BRACKET, MOTOR	1		6696-			647
	284-62576-08	BRACKET, MOTOR	1		-6695			647
-406	284-62458-08	SCREW	2		-			647
-408	284-62457-08	SCREW	5		-			647
-410	284-62555-08	JOINT LEVER	1		-			647
-412	284-62446-18	SPRING	1		6696-			647
	284-62446-08	SPRING	1		-6695			647
-414	284-62447-08	WASHER	1		6696-			647



FIG. 705

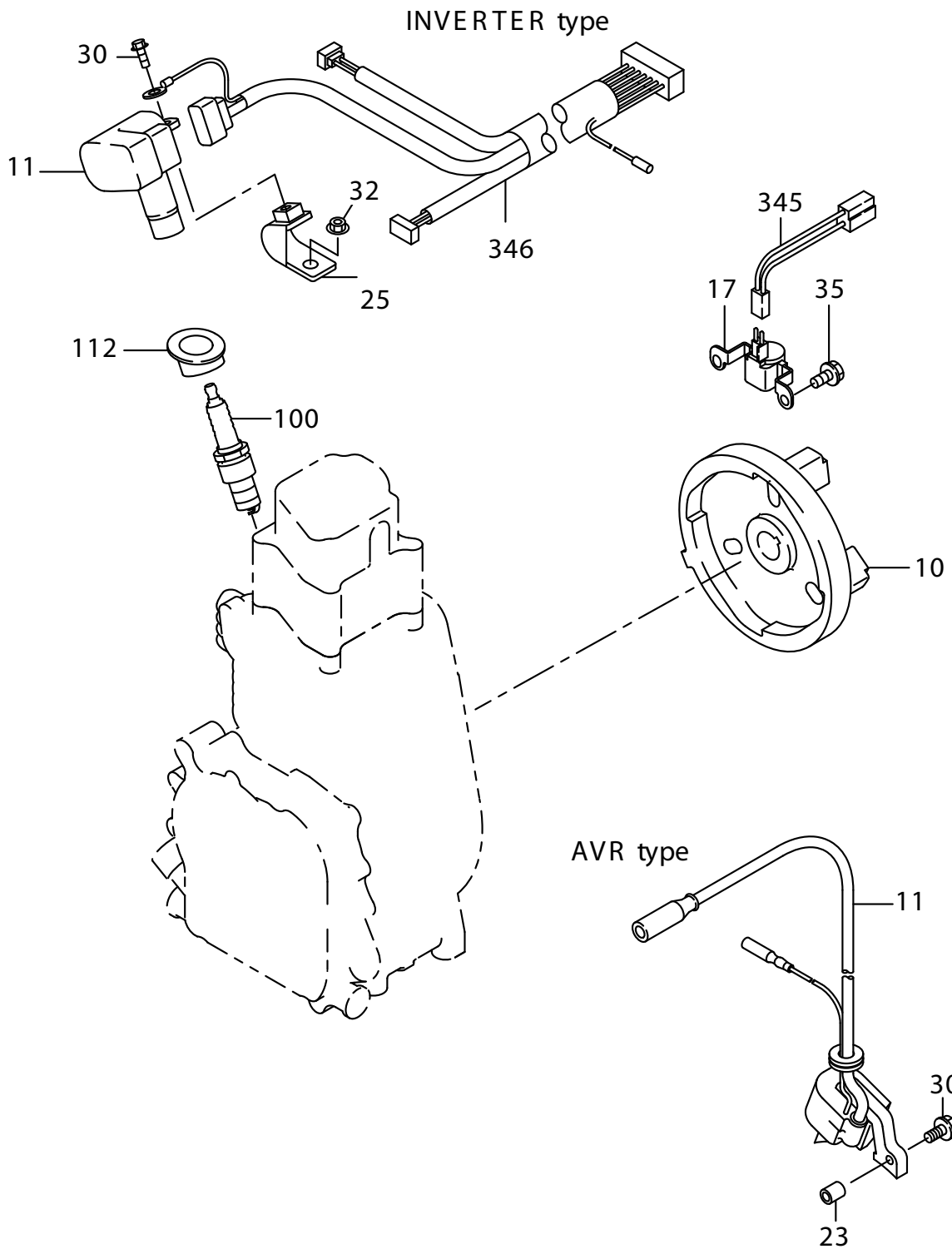




FIG. 775

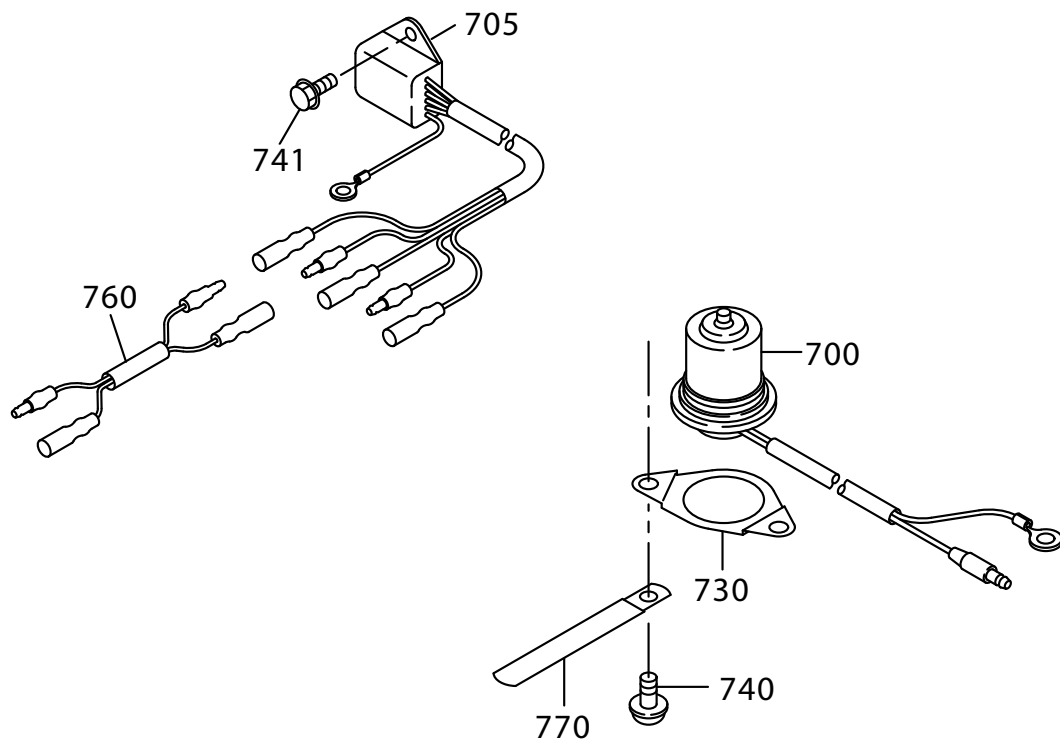
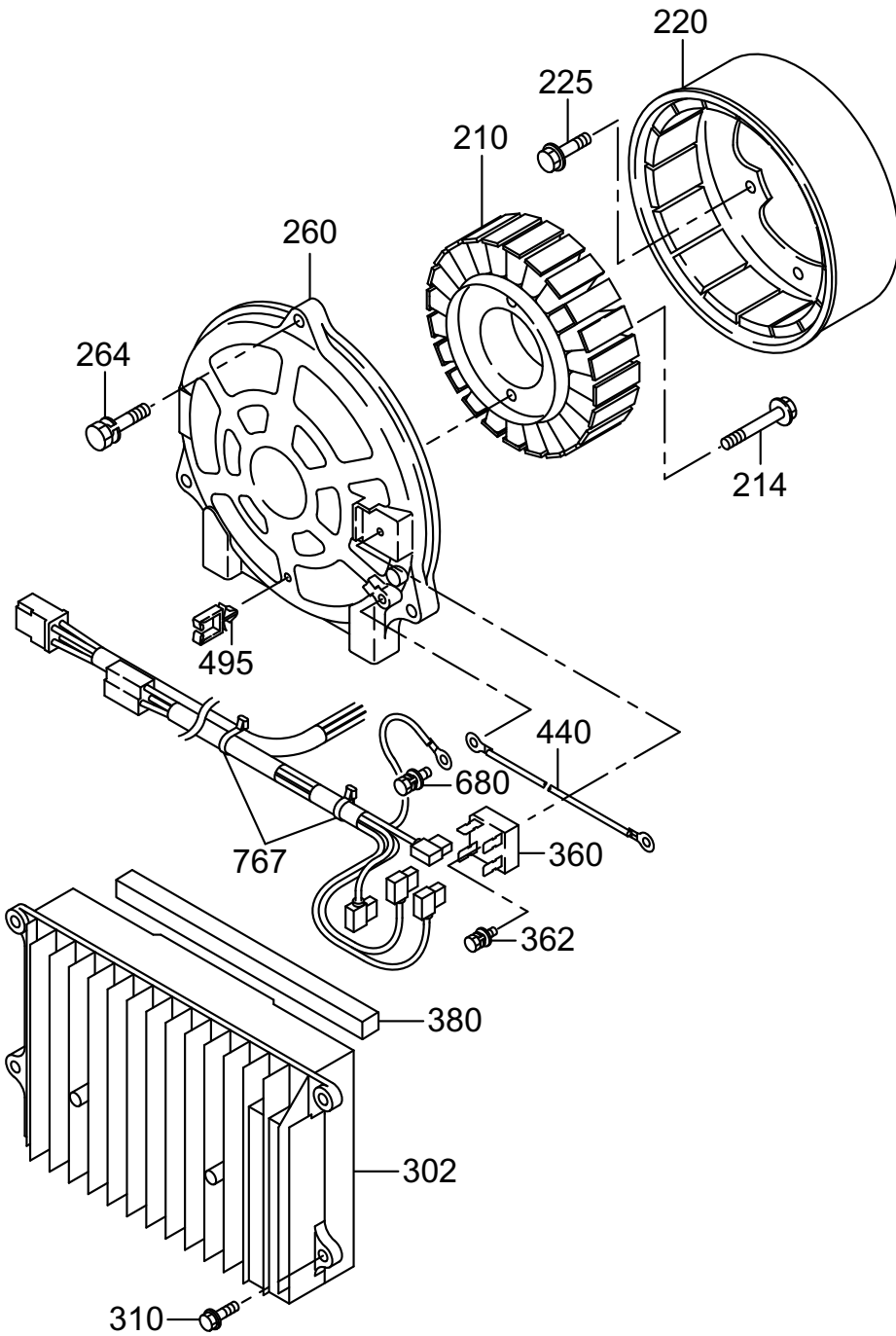






FIG. 2200

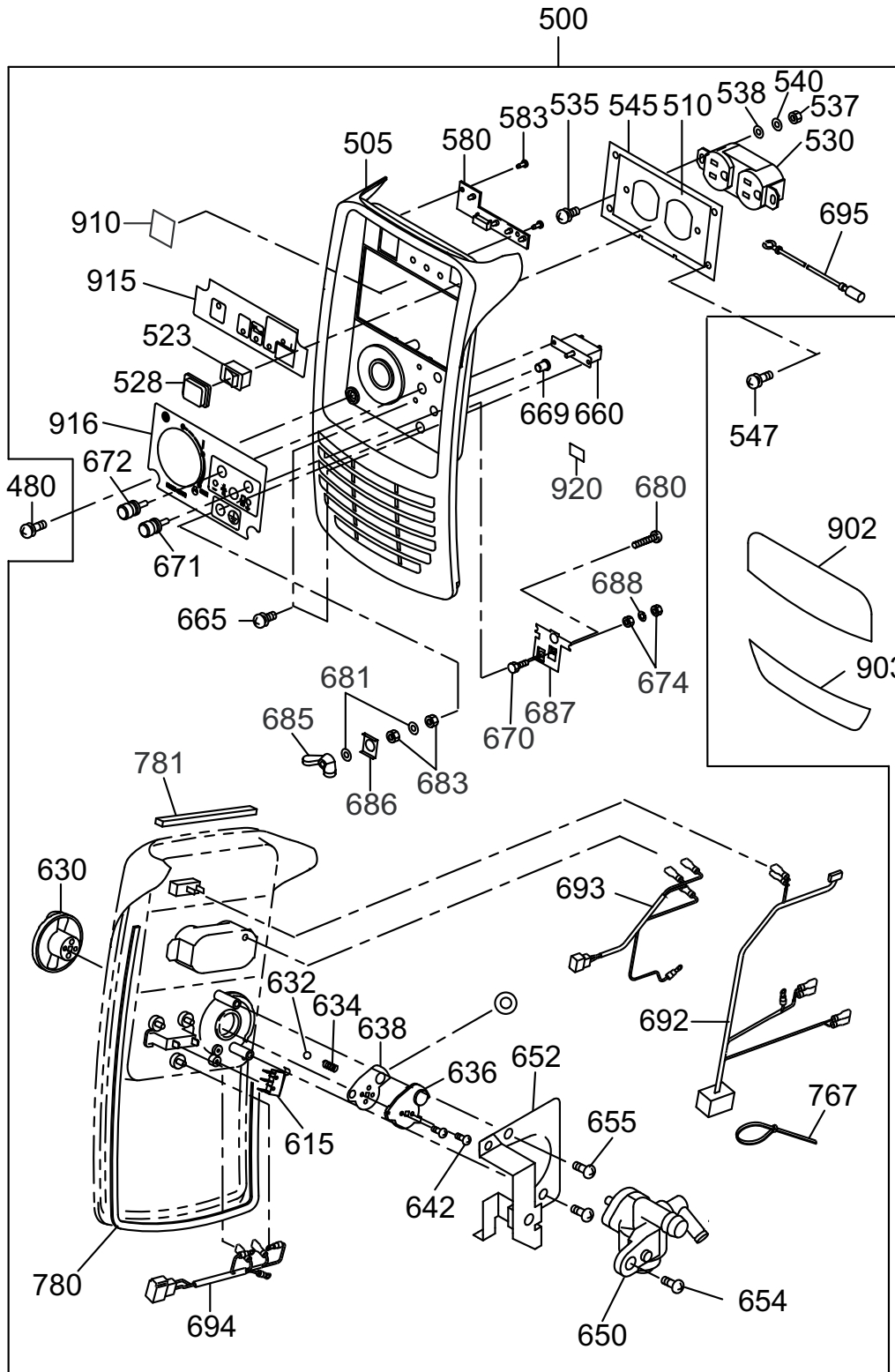








# FIG. 2400



530

358-40621-08  
34G-49901-01

378-45737-08

388-85003-01  
33K-49951-01

640

643

645

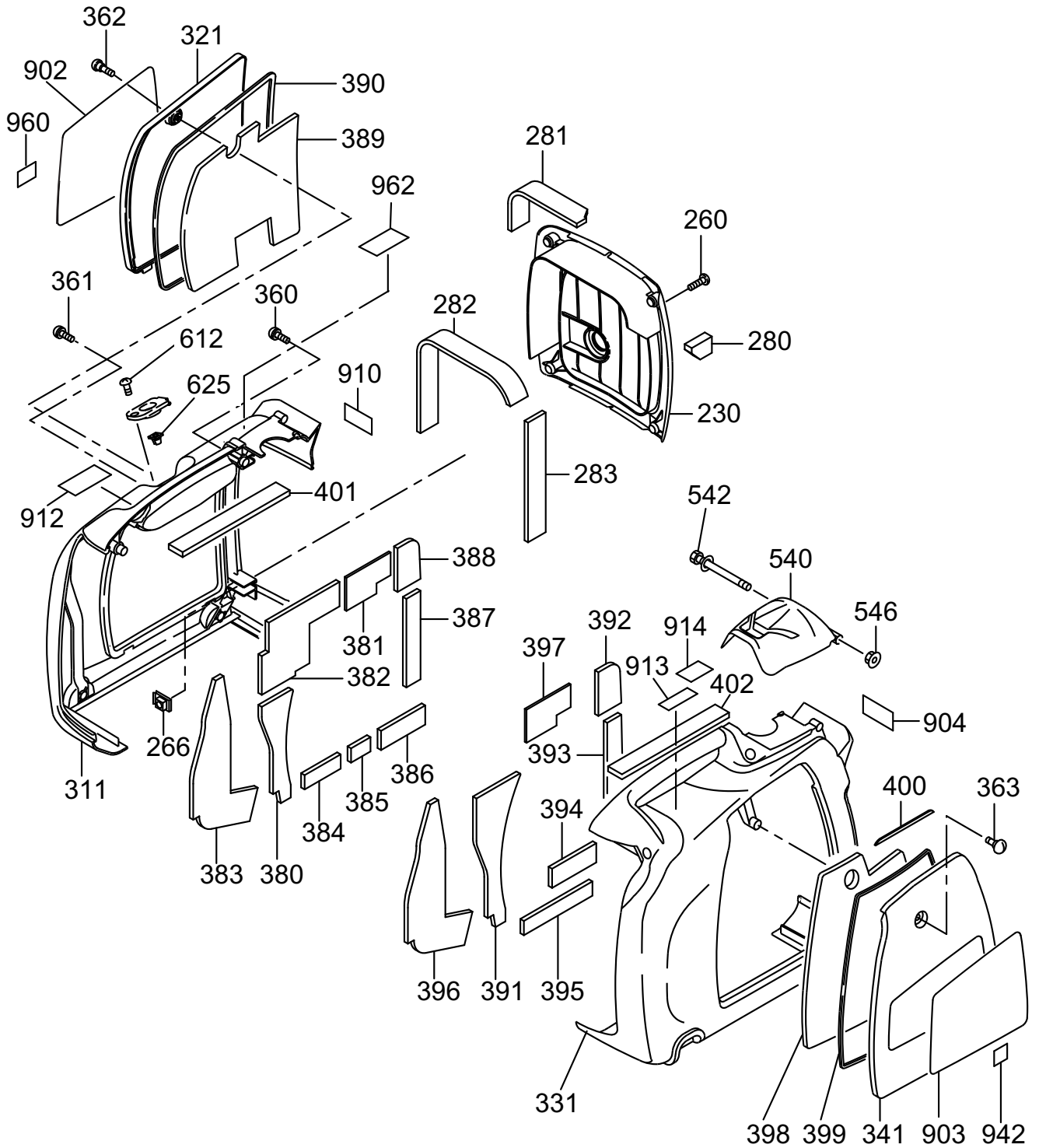
## 24 CONTROL

REF.	PART NUMBER	PART NAME	QTY	R E M A R K S	CODE NO.	INTERCHANGE P/NO.	UNIT P	FIG.
480	014-00501-00	SCREW	4		-			2400
500	34K-45001-10	CONTROL PANEL AY	1		7487-			2400
	34K-45001-00	CONTROL PANEL AY	1		-7486			2400
505	33K-40101-13	FRONT PANEL	1		7487-			2400
	33K-40101-03	FRONT PANEL	1		-7486			2400
510	34K-41170-13	FILM CONCENT	1		7487-			2400
	34K-41170-03	FILM CONCENT	1		-7486			2400
523	34K-41812-03	ROCKER SWITCH	1		-			2400
524	34K-41812-03	ROCKER SWITCH	1		-			2400
528	34K-41813-03	SWITCH COVER	1		-			2400
530	378-45737-08	AC CONCENT	1	AC125V 15A	-			2400
535	351-49920-08	SCREW & WASHER AY	2		-			2400
545	33K-40700-13	CONCENT BRACKET	1		7487-			2400
	33K-40700-03	CONSENT BRACKET	1		-7486			2400
547	013-10400-60	SCREW AND WASHER AY	4		-			2400
580	KD3-11001-11	LED INDICATOR CP	1		-			2400
583	015-00300-20	TAPPING SCREW	2		-			2400
615	33K-41811-03	MICRO SWITCH	1		-			2400
630	33K-42010-03	CONTROL DIAL	1		-			2400
632	33K-42071-03	BALL(DIAL)	1		-			2400
634	33K-42074-03	SPRING(DIAL)	1		-			2400
636	33K-42020-03	CHOKE REEL	1		-			2400
638	33K-42030-23	PLATE	1		-			2400
642	33K-41814-08	TAPPING SCREW	2		-			2400
647	33K-42080-03	CHOKE BRACKET	1		-			2400
648	011-00600-10	FLANGE BOLT	1	M6X1.0X14DX8L	-			2400
650	064-20117-00	FUEL STRAINER AY	1		-			2400
652	33K-43010-03	BRACKET(COCK) CP	1		-			2400
654	011-00600-20	FLANGE BOLT	1	M6X1.0X14DX12L	-			2400
655	015-00400-70	TAPPING SCREW	2	M4X20L	-			2400
660	33K-41833-03	CIRCUIT BREAKER	1	RED 10A	-			2400
665	013-10300-10	SCREW AND WASHER AY	2		-			2400
669	33K-41817-03	BREAKER CAP	1		-			2400
670	33K-42090-01	TERMINAL BOLT	1		-			2400
671	363-45701-08	TERMINAL BOLT	1	RED 20A	-			2400
672	363-45700-08	TERMINAL BOLT	1	BLACK 20A	-			2400
692	34K-41814-13	PANEL HARNESS	1		-			2400
693	34K-41815-13	CONCENT HARNESS	1		-			2400
694	34K-41816-13	DC OUT HARNESS	1		-			2400
710	33K-42060-21	CHOKE WIRE CP	1		-			2400





FIG. 2500



## 25 COVER

REF.	PART NUMBER	PART NAME	QTY	R E M A R K S	CODE NO.	INTERCHANGE P/NO.	UNIT P	FIG.
230	33K-50201-03	REAR COVER	1	BLACK	-			2500
260	013-10600-30	SCREW AND WASHER AY	4		-			2500
266	33K-50205-01	NUT CP	4		-			2500
280	33K-58318-13	R-COVER SPONGE 1	2		-			2500
281	33K-58319-13	R-COVER SPONGE 2	1		-			2500
282	33K-58322-03	R-COVER SPONGE 3	1		-			2500
283	33K-58324-03	R-COVER SPONGE 4	1		-			2500
311	33K-50301-13	CASE BODY L	1		-			2500
321	33K-50311-03	SIDE PANEL L	1		-			2500
331	33K-50401-13	CASE BODY R	1		-			2500
341	33K-50411-03	SIDE PANEL R	1		-			2500
360	004-36062-50	SCREW AND WASHER AY	2	M6X1.0X25L W/W, SW	-			2500
361	004-36062-00	SCREW AND WASHER AY	1	M6X1.0X20L W/W, SW	-			2500
362	33K-50501-03	BOLT(PANEL)	1		-			2500
363	33K-50501-03	BOLT(PANEL)	1		-			2500
380	33K-58301-03	SPONGE CASE L	1		-			2500
381	33K-58307-03	SPONGE CASE L 5	1		-			2500
382	33K-58305-13	SPONGE CASE L 3	1		7245-			2500
	33K-58305-03	SPONGE CASE L 3	1		-7244			2500
383	33K-58304-03	SPONGE CASE L 2	1		-			2500
384	33K-58308-03	SPONGE CASE L 6	1		-			2500
385	33K-58309-03	SPONGE CASE L 7	1		-			2500
386	33K-58408-03	SPONGE CASE R 6	1		-			2500
387	33K-58409-03	SPONGE CASE R 7	1		-			2500
388	33K-58306-03	SPONGE CASE L 4	1		-			2500
389	33K-58302-03	SPONGE PANEL L	1		-			2500
390	33K-58303-03	SEAL SPONGE L	1		-			2500
391	33K-58401-03	SPONGE CASE R	1		-			2500
392	33K-58406-03	SPONGE CASE R 4	1		-			2500
393	33K-58409-03	SPONGE CASE R 7	1		-			2500
394	33K-58408-03	SPONGE CASE R 6	1		-			2500
395	33K-58407-03	SPONGE CASE R 5	1		-			2500
396	33K-58404-03	SPONGE CASE R 2	1		-			2500
397	33K-58405-13	SPONGE CASE R 3	1		7245-			2500
	33K-58405-03	SPONGE CASE R 3	1		-7244			2500
398	33K-58402-03	SPONGE PANEL R	1		-			2500
399	33K-58403-03	SEAL SPONGE R	1		-			2500
400	33K-58410-03	SEAL SPONGE R 2	1		-			2500
540	33K-55001-13	TANK CAP COVER	1		-			2500
542	013-10400-91	SCREW AND WASHER AY	1		-			2500



FIG. 2600

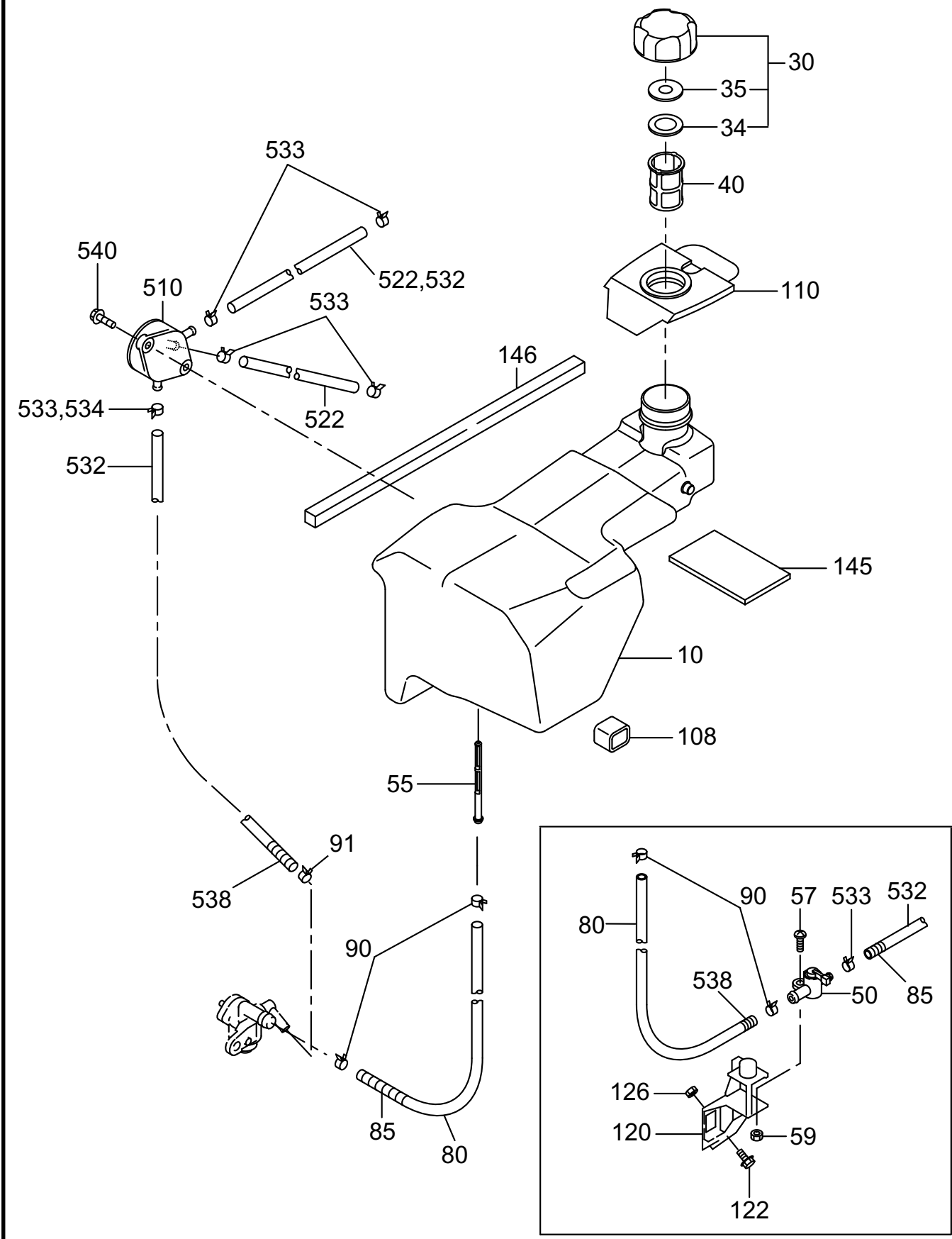




FIG. 2900

