
Model **SGi28SE**

PARTS CATALOG

Spec. No. RAS32031511
(E/G Spec.No. EX210DS2040)

CONTENTS

ENGINE PARTS

		FIG.
1	CRANK CASE	100
2	CRANKSHAFT, PISTON	200
3	INTAKE EXHAUST	300
4	GOVERNOR OPERATION	400
5	COOLING STARTING	500
7	ELECTRIC DEVICE	700-720

GENERATOR PARTS

21	ENGINE AY (INC.MUFFLER, AIR CLEANER, STARTER, CARBURETOR, ELECTRIC DEVICE)	2110·2130·2150·2160·2170
22	GENERATOR	2200
23	BASE FRAME	2300
24	CONTROL	2400
25	COVER	2500·2510
26	FUEL TANK	2600
29	ACCESSORIES	2900

FIG. 100

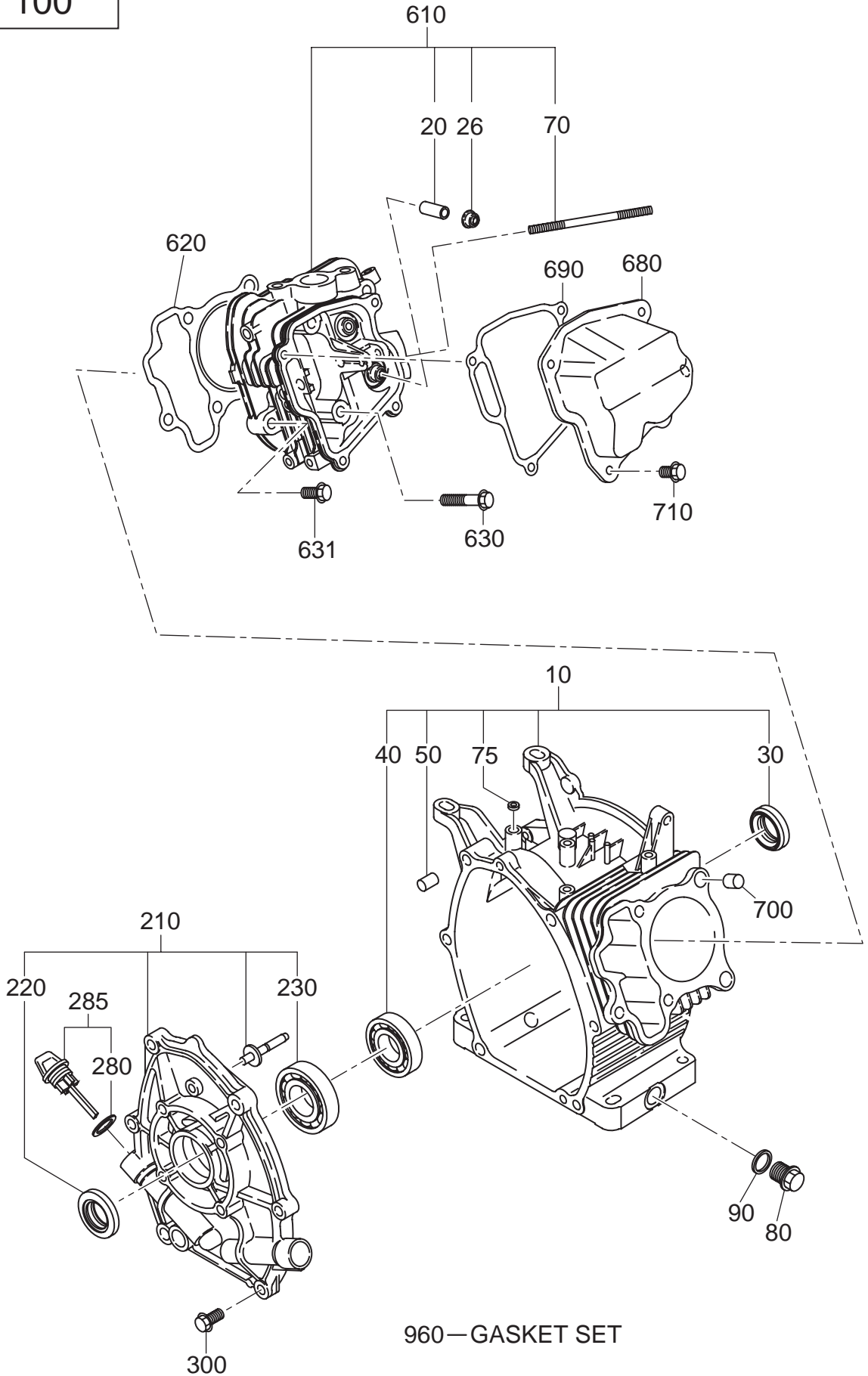


FIG. 200

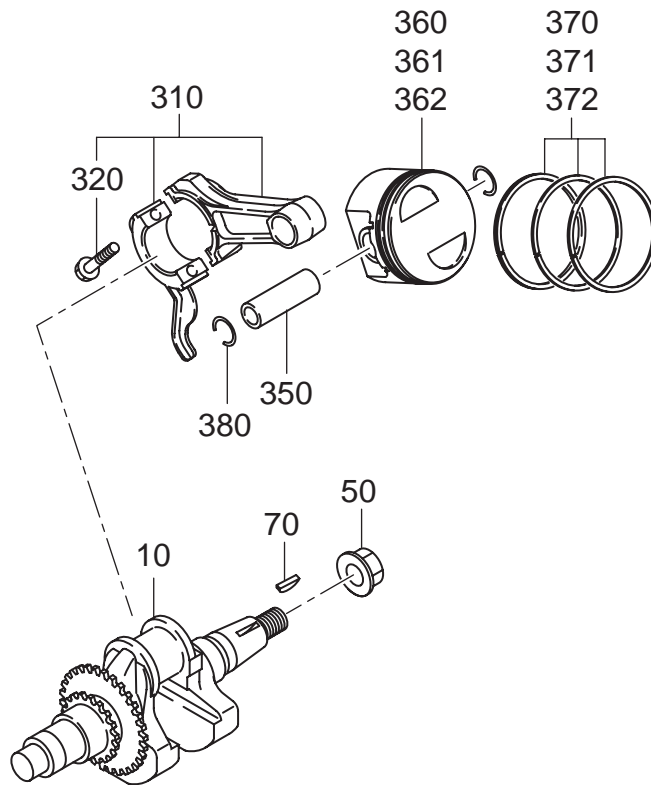


FIG. 300

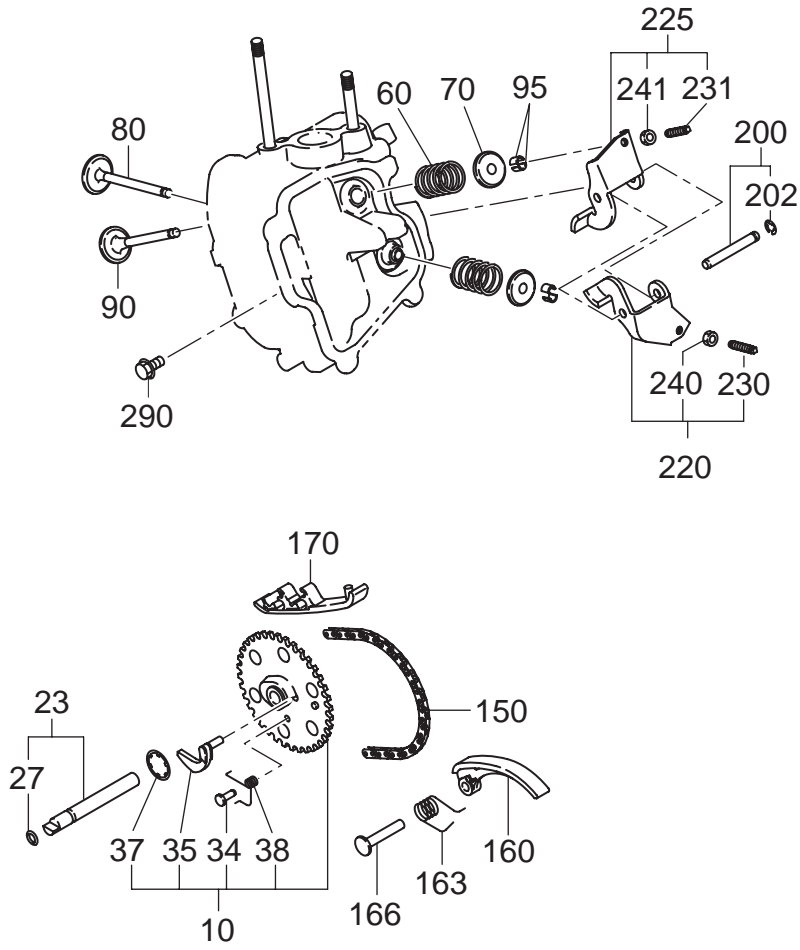


FIG. 400

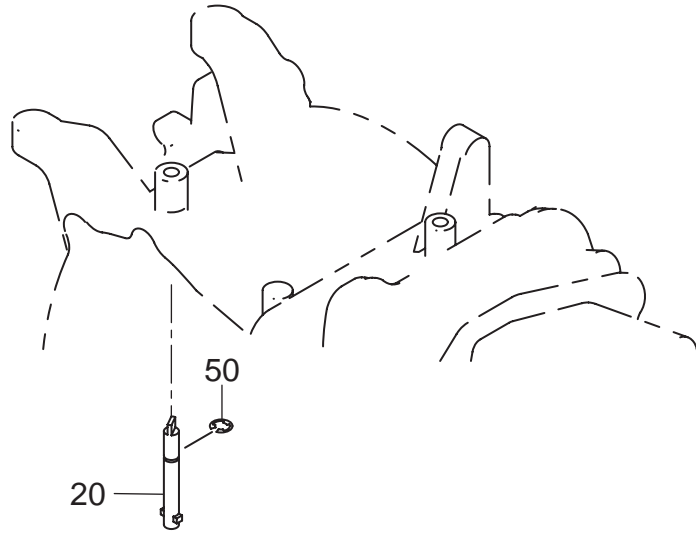


FIG. 500

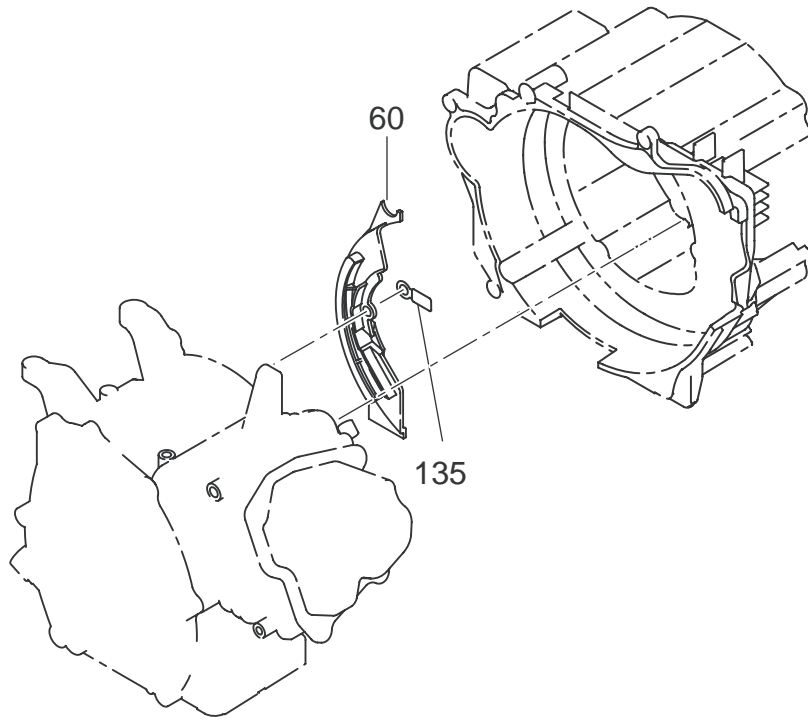


FIG. 700

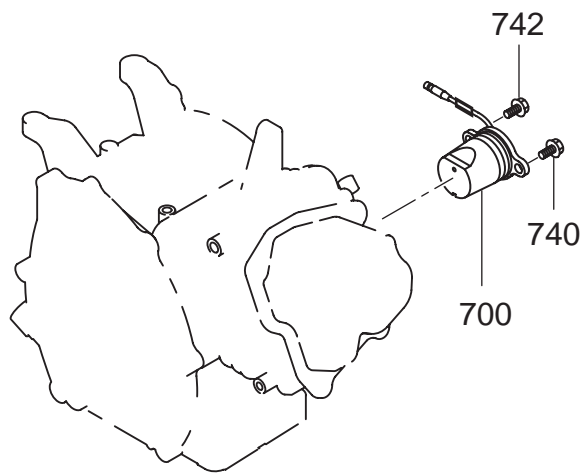
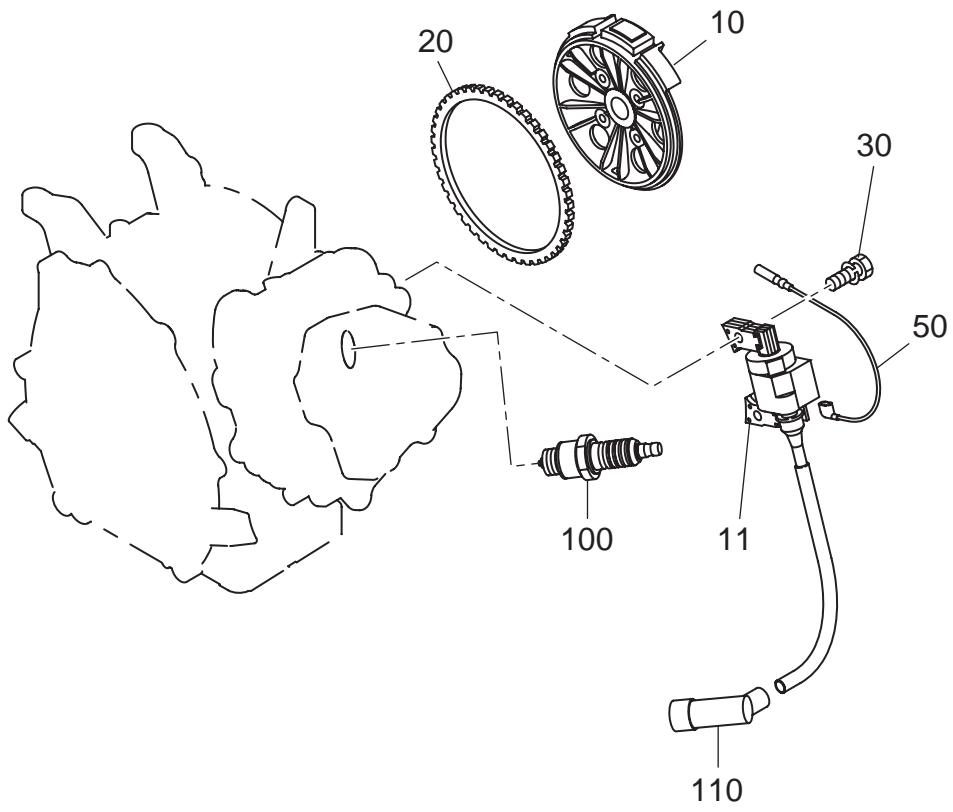
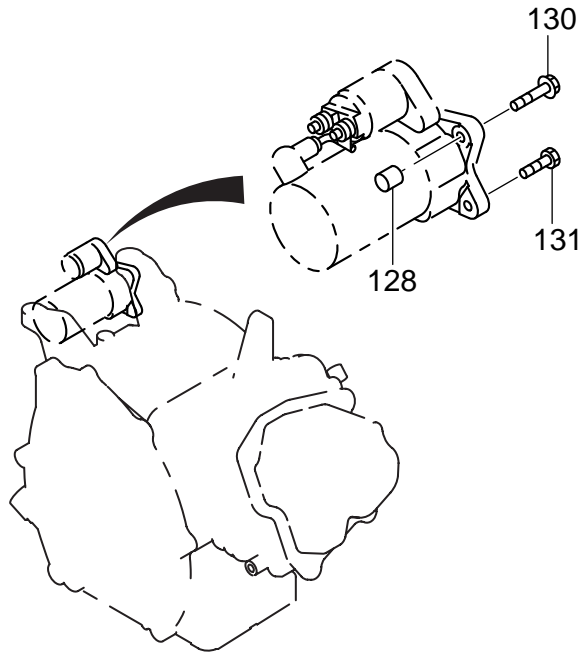


FIG. 720



120

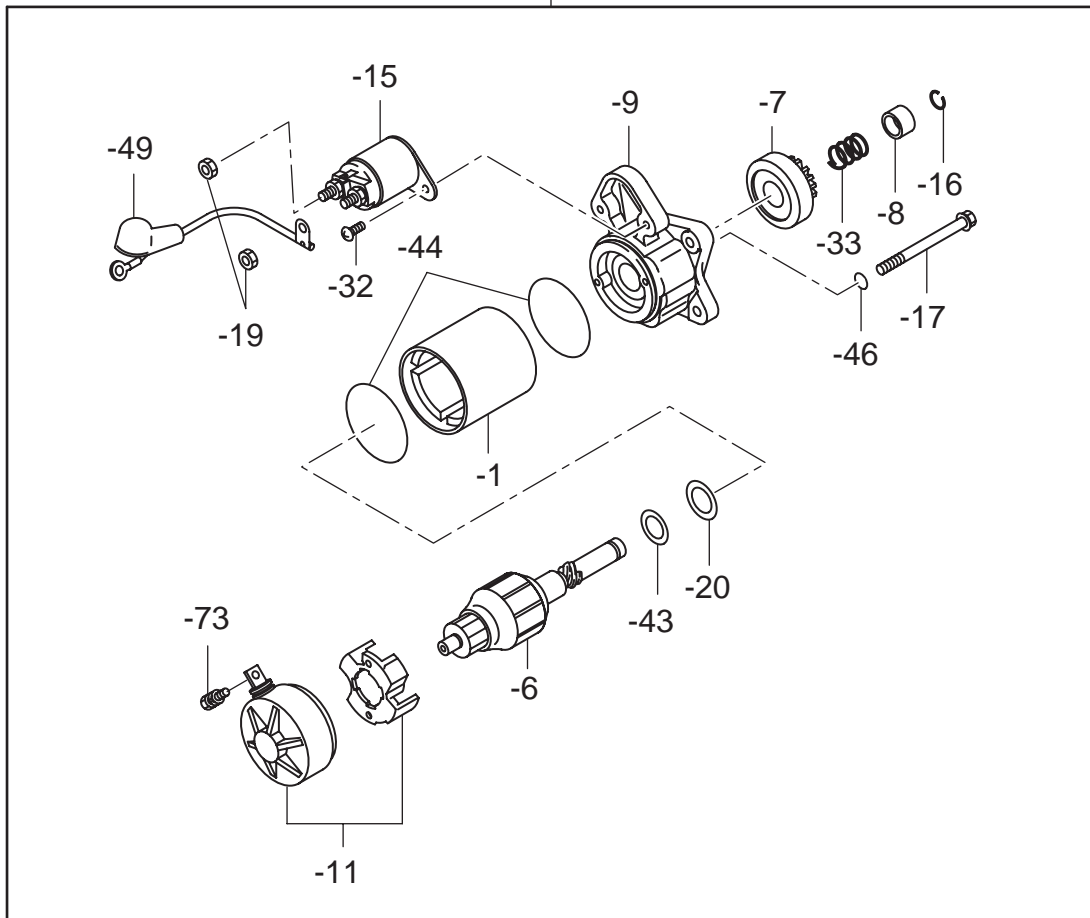


FIG. 2110

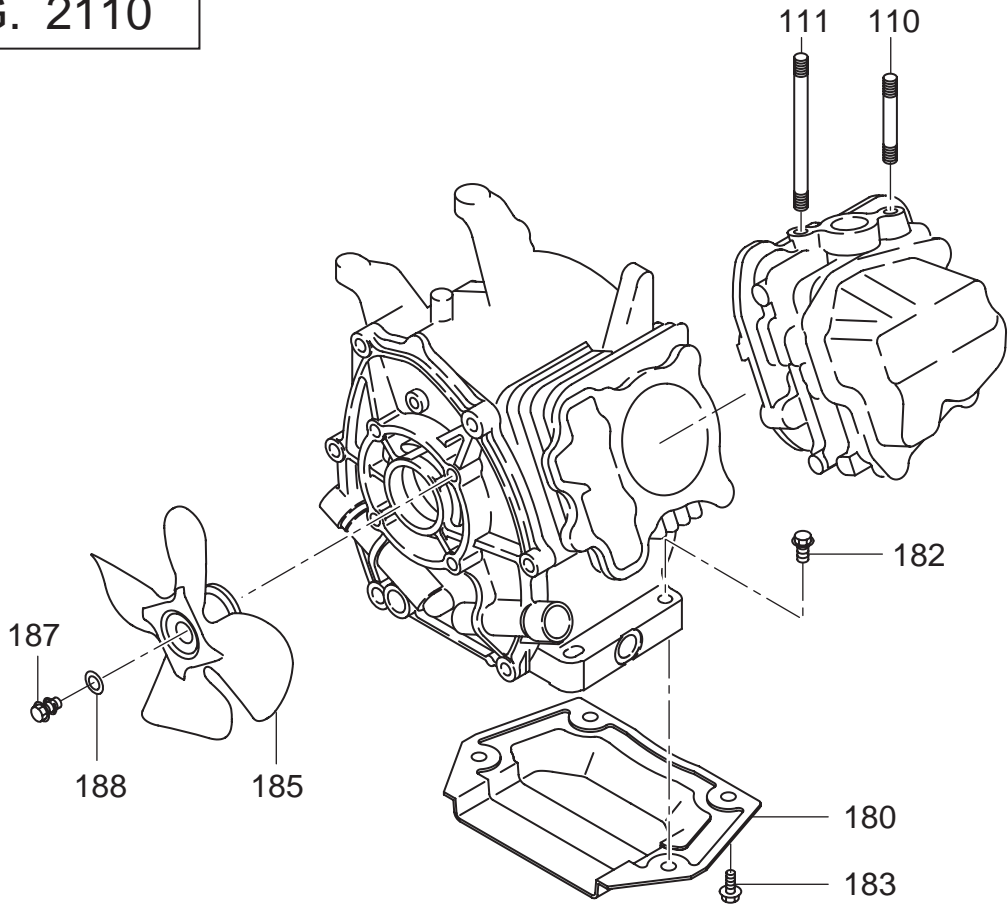
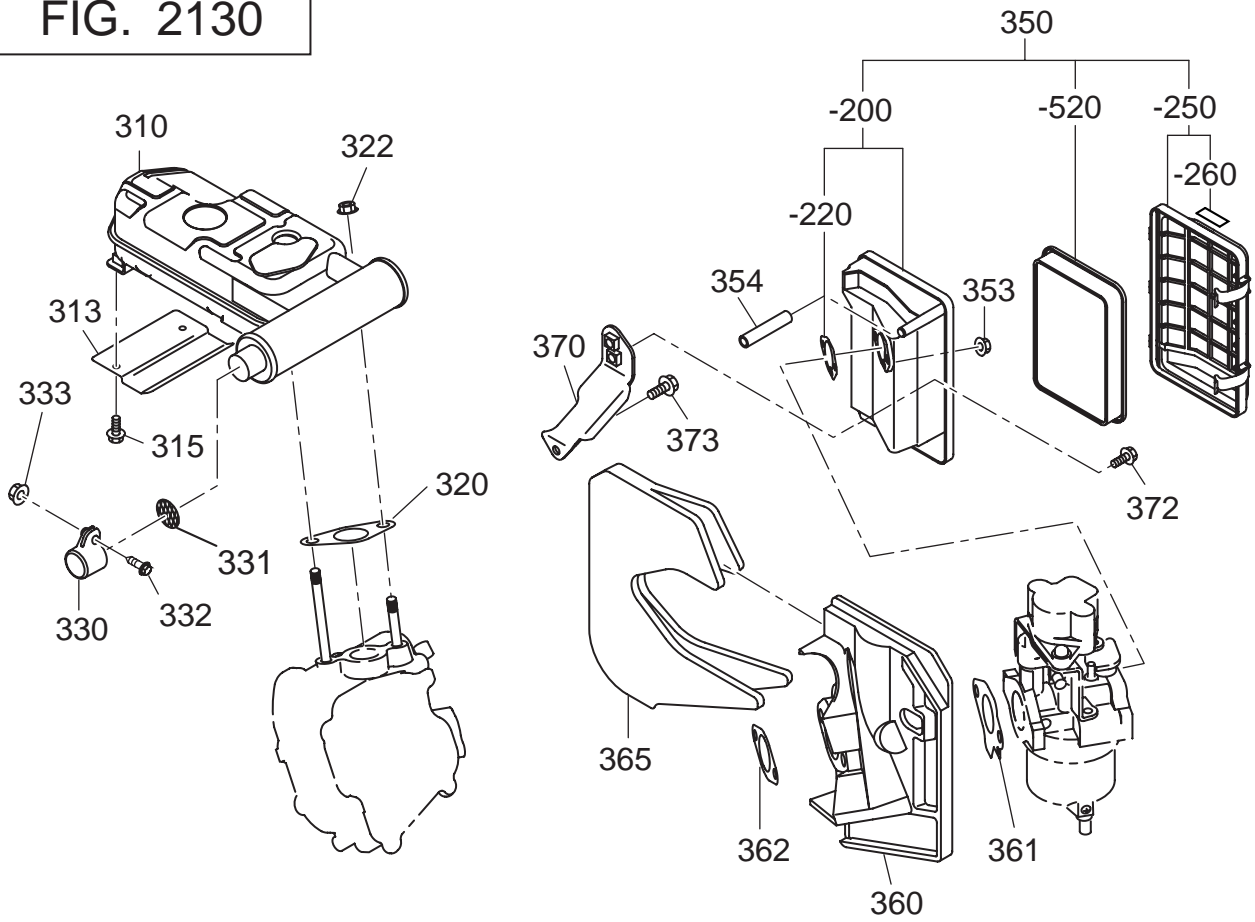


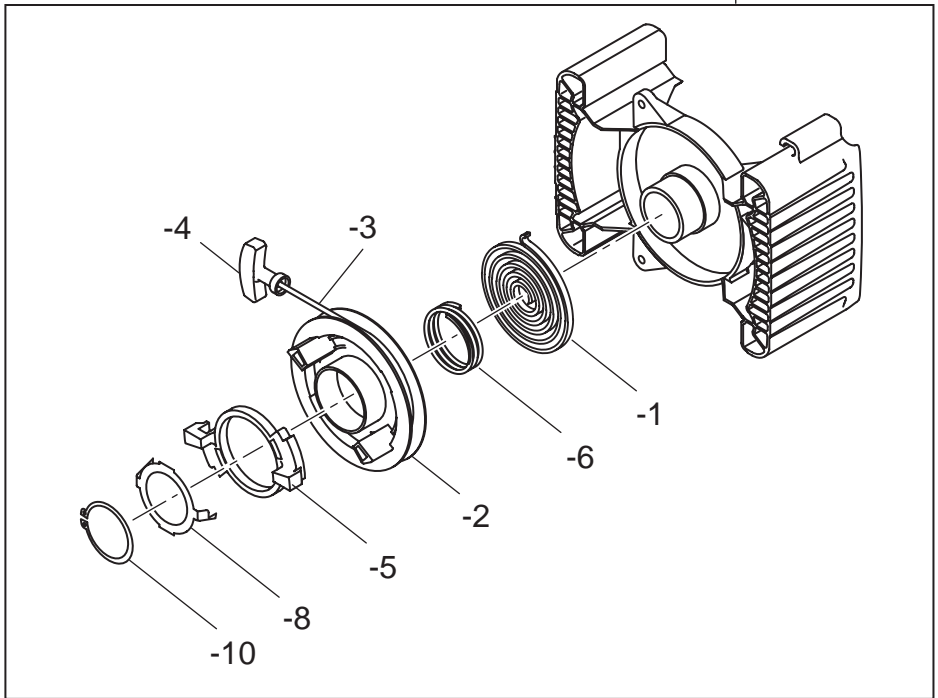
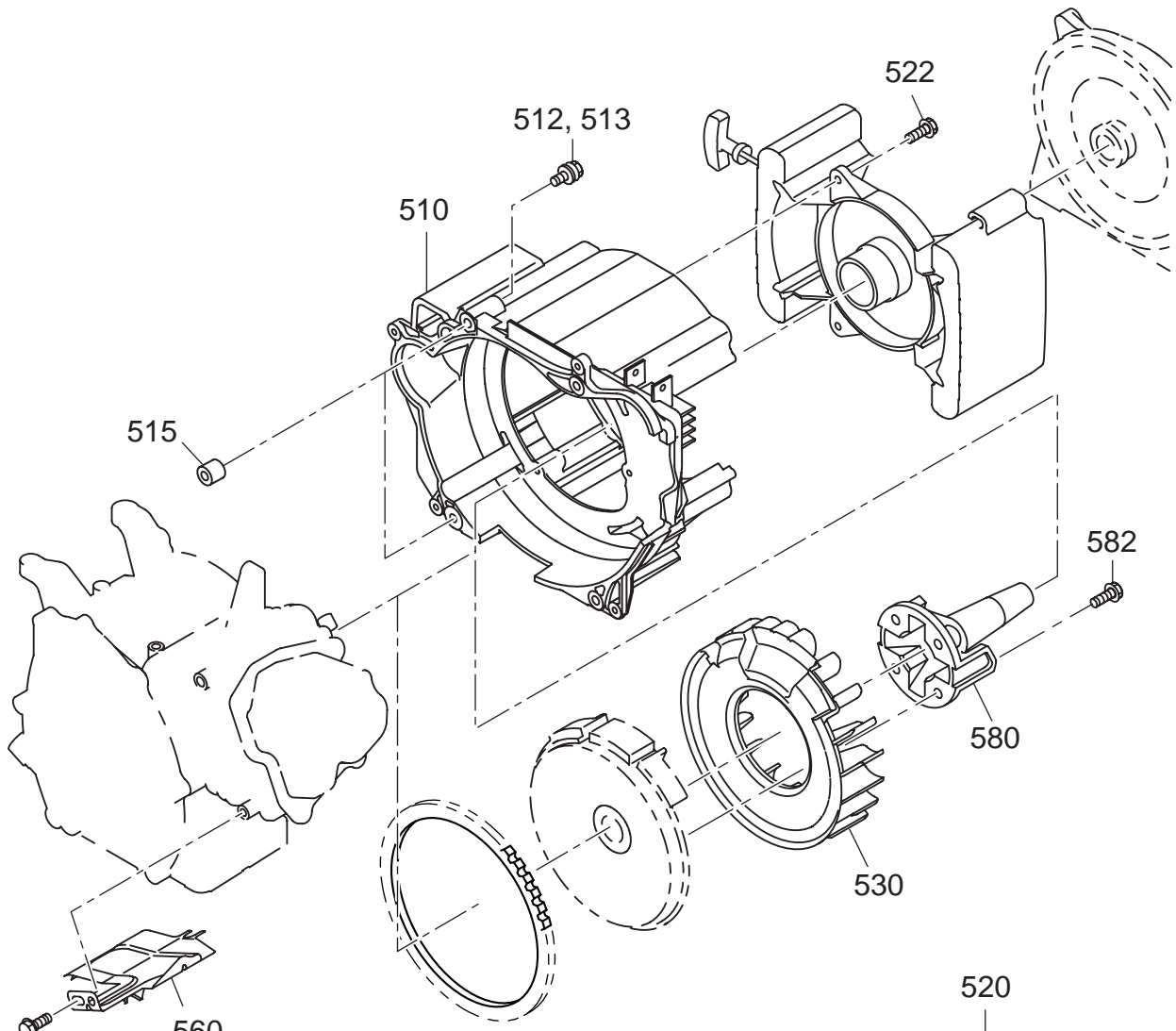
FIG. 2130



21 ENGINE

REF.	PART NUMBER	PART NAME	QTY	R E M A R K S	CODE NO.	INTERCHANGE P/NO.	UNIT P	FIG.
110	010-50802-90	STUD	1	M8X1.25X30L	-			2110
111	010-50805-10	STUD	1	M8X1.25X112L	-			2110
180	33B-35001-11	BOTTOM EXT. PLATE CP	1		-			2110
182	011-00802-70	FLANGE BOLT	2	M8X1.25X16DX33L	-			2110
183	011-00801-50	FLANGE BOLT	2	M8X1.25X16DX12L	-			2110
185	34G-54101-01	FAN (SILENT) CP	1		-			2110
187	001-14082-50	BOLT AND WASHER AY	1	M8X1.25X25L W/W, SW	-			2110
188	020-00800-80	WASHER	1	8.4DX17DX3.2T	-			2110
310	278-30411-61	MUFFLER CP(SILENT)	1		-			2130
313	33B-52601-03	BAFFLE	1		-			2130
315	011-00601-60	FLANGE BOLT	2	M6X1.0X12.5DX23L	-			2130
320	277-35201-13	GASKET (MUFFLER)	1	T=0.2 26D 9DX58P	-			2130
322	002-38080-00	FLANGE NUT	2	M8X1.25X17DX7.5H	-			2130
330	277-37210-03	TAIL SCREEN COVER	1		-			2130
331	277-37221-03	SCREEN 2	1		-			2130
332	004-35051-60	SCREW AND WASHER AY	1		-			2130
333	002-18050-00	NUT	1		-			2130
350	277-32622-20	AIR CLEANER AY	1	GENERATOR	-			2130
-200	277-32632-08	BACE CP	1		-			2130
-220	277-32604-08	PACKING	1		-			2130
-250	277-32643-18	COVER CP	1		-			2130
-260	073-20044-30	LABEL (CHOKE)	1	14X28 ILLUSTR	-			2130
-520	277-32661-17	ELEMENT AY	1	GENERATOR	-			2130
353	002-38060-00	FLANGE NUT	2	M6X1.0X13DX6H	-			2130
354	277-32762-08	BREATHER PIPE	1	8DX11DX95L	-			2130
360	277-32910-03	INSULATOR	1		-			2130
361	277-35902-J3	GASKET1 (INSULATOR)	1	T=0.5	-			2130
362	277-35903-J3	GASKET2 (INSULATOR)	1	T=0.5	-			2130
365	278-39701-03	SPONGE (INSULATOR)	1		-			2130
370	277-39004-01	BRACKET (A/C) 1 CP	1		-			2130
372	011-00600-50	FLANGE BOLT	1	M6X1.0X13DX20L	-			2130
373	011-00600-20	FLANGE BOLT	1	M6X1.0X14DX12L	-			2130

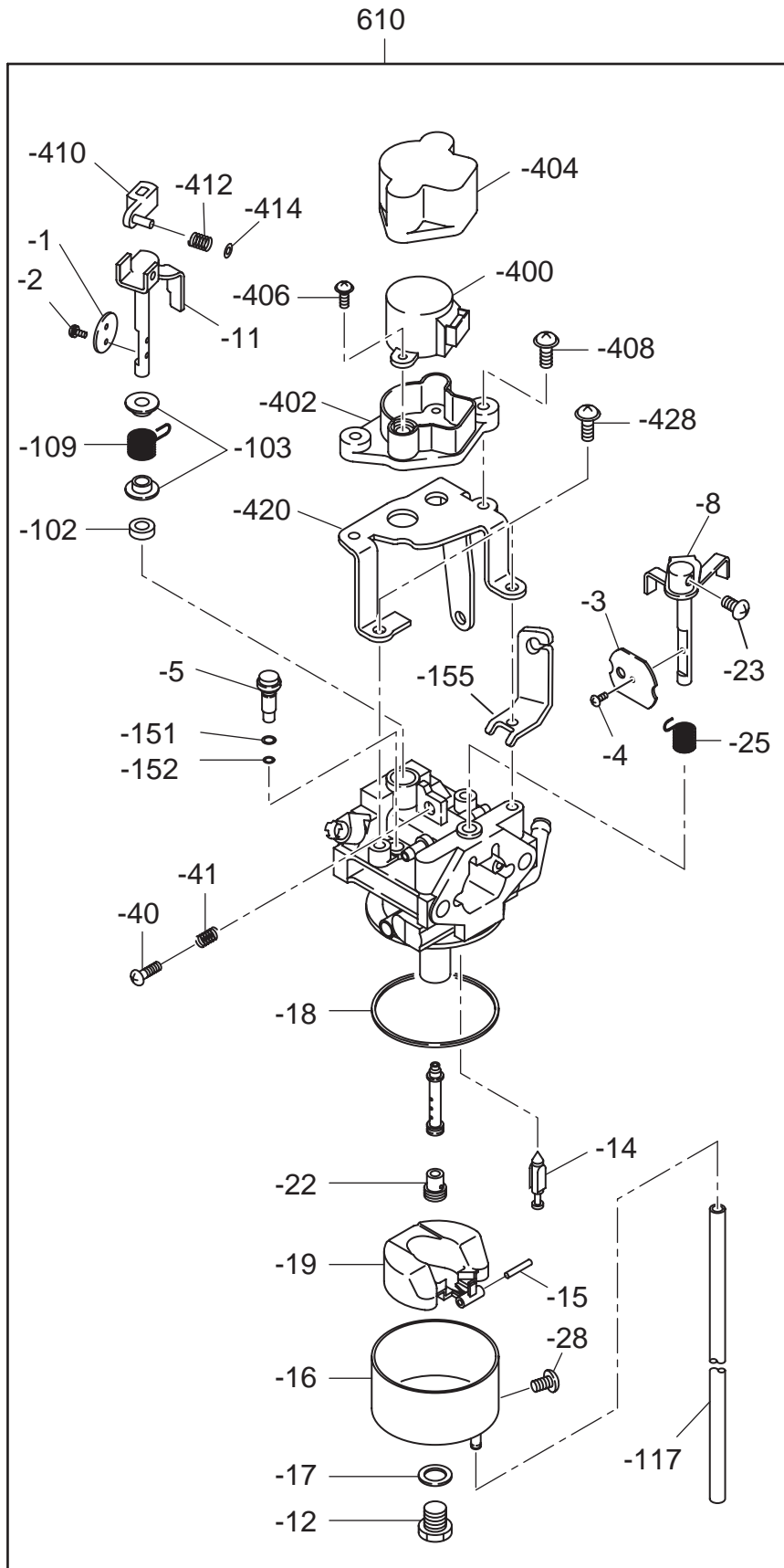
FIG. 2150



21 ENGINE

REF.	PART NUMBER	PART NAME	QTY	R E M A R K S	CODE NO.	INTERCHANGE P/NO.	UNIT P	FIG.
510	277-52001-13	BLOWER HOUSING	1		-			2150
512	001-14063-50	BOLT AND WASHER AY	1	M6X1. 0X35L W/W, SW	-			2150
513	001-14064-50	BOLT AND WASHER AY	3	M6X1. 0X45L W/W, SW	-			2150
515	980-40081-10	STR PIN-8X10	2		-			2150
520	277-50401-40	RECOIL STARTER AY	1		-			2150
-1	277-50402-08	SPIRAL SPRING	1		-			2150
-2	277-50403-08	REEL	1		-			2150
-3	277-50408-08	STARTER ROPE	1		-			2150
-4	277-50409-18	STARTER KNOB	1		-			2150
-5	277-50404-08	RACHET	1		-			2150
-6	277-50405-08	FRICTION SPRING	1		-			2150
-8	277-50407-08	FRICTION PLATE	1		-			2150
-10	277-50406-08	RETAINING RING	1		-			2150
522	011-00601-40	FLANGE BOLT	3	M6X1. 0X14DX18L	-			2150
530	277-54101-23	COOLING BLOWER	1		-			2150
560	277-52702-03	BAFFLE 2 (HEAD)	1		-			2150
562	011-00600-20	FLANGE BOLT	1	M6X1. 0X14DX12L	-			2150
580	277-24401-03	DRIVING SHAFT	1		-			2150
582	011-01001-10	FLANGE BOLT	4	M8X1. 25X16DX27L	-			2150

FIG. 2160



21 ENGINE

REF.	PART NUMBER	PART NAME	QTY	R E M A R K S	CODE NO.	INTERCHANGE P/NO.	UNIT P	FIG.
610	278-62330-10	CARBURETOR AY	1		-			2160
- 1	277-62536-08	VALVE THROTTLE	1		-			2160
- 2	284-62455-08	SCREW	1		-			2160
- 3	284-62525-08	VALVE CHOKE	1		-			2160
- 4	284-62455-08	SCREW	1		-			2160
- 5	278-62421-08	JET, SLOW	1		-			2160
- 8	284-62520-08	SHAFT AY CHOKE	1		-			2160
- 11	277-62532-18	SHAFT SUB AY	1		-			2160
- 12	284-62355-08	SCREW	1		-			2160
- 14	279-62500-08	VALVE ASSY, NEEDLE	1		-			2160
- 15	284-62515-08	PIN, FLOAT LEVER	1		-			2160
- 16	284-62550-08	CHAMBER AY, FLOAT	1		-			2160
- 17	251-62350-08	GASKET	1		-			2160
- 18	284-62540-08	GASKET, CHAMBER	1		-			2160
- 19	284-62505-08	FLOAT AY	1		-			2160
- 22	278-62402-08	JET, MAIN	1		-			2160
- 23	284-62456-08	SCREW	1		-			2160
- 25	284-62445-08	SPRING, CHOKE	1		-			2160
- 28	251-62661-08	DRAIN SCREW	1		-			2160
- 40	277-62581-08	SCREW ADJUST	1		-			2160
- 41	251-62449-08	SPRING	1		-			2160
-102	251-62559-08	BUSH	1		-			2160
-103	284-62561-08	COLLAR	2		-			2160
-109	284-62315-18	SPRING, THROTTLE	1		-			2160
-117	277-62590-08	PIPE	1		-			2160
-151	284-62450-08	O-RING	1		-			2160
-152	284-62451-08	O-RING	1		-			2160
-155	277-62451-08	BRACKET WIRE	1		-			2160
-400	284-62580-08	MOTOR	1		-			2160
-402	284-62576-18	BRACKET, MOTOR	1		-			2160
-404	277-62595-08	COVER, MOTOR	1		-			2160
-406	284-62458-08	SCREW	2		-			2160
-408	284-62457-08	SCREW	2		-			2160
-410	284-62555-08	JOINT LEVER	1		-			2160
-412	284-62446-18	SPRING	1		-			2160
-414	284-62447-08	WASHER	1		-			2160
-420	284-62575-08	BRACKET	1		-			2160
-428	284-62457-08	SCREW	3		-			2160

FIG. 2170

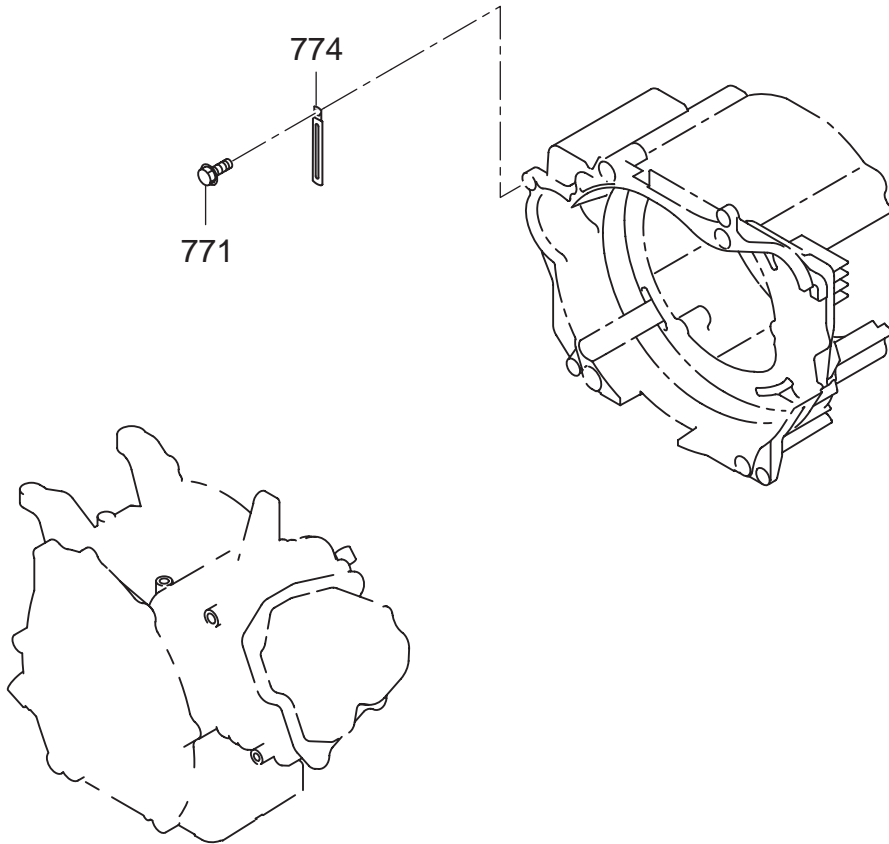
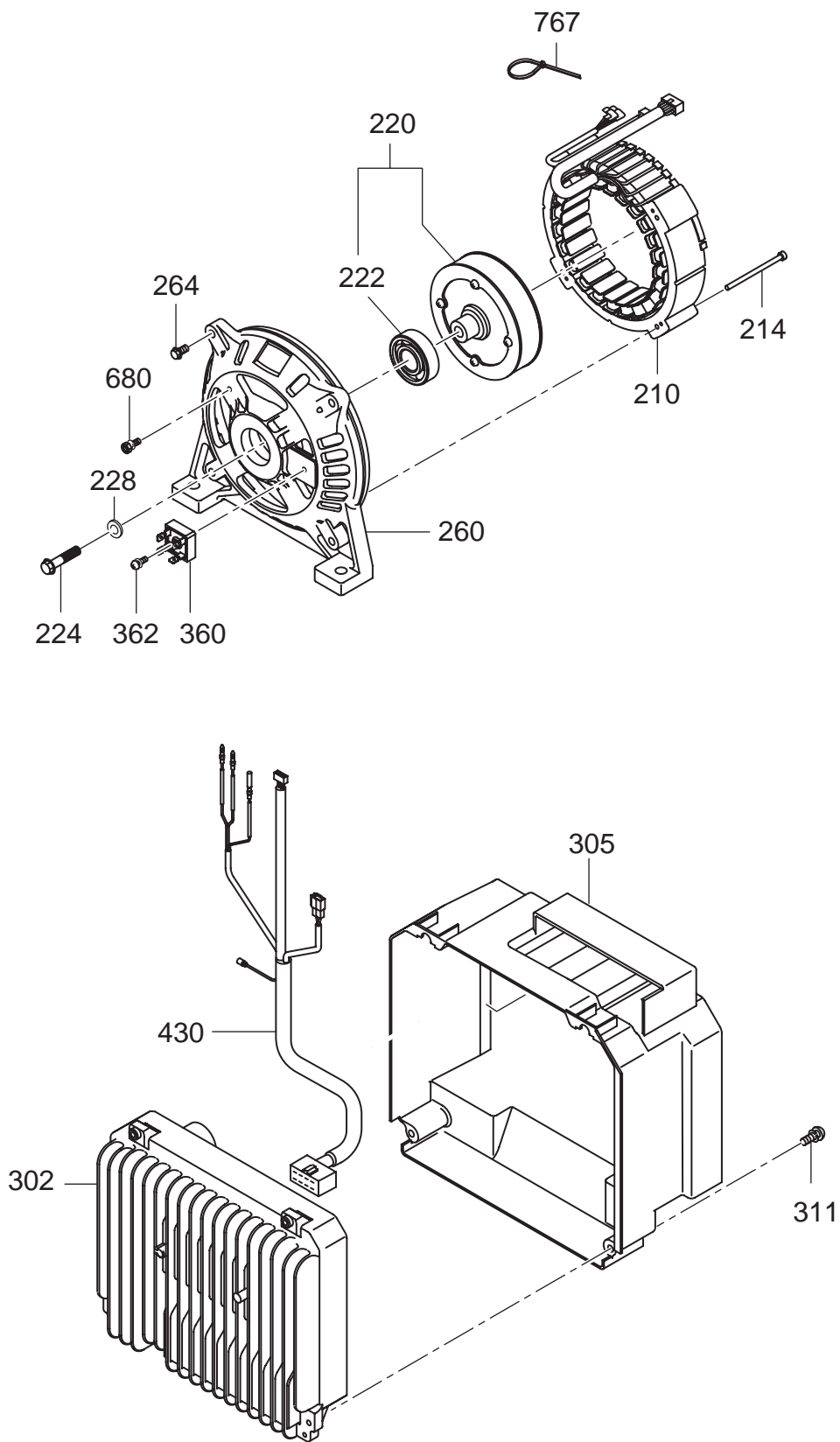


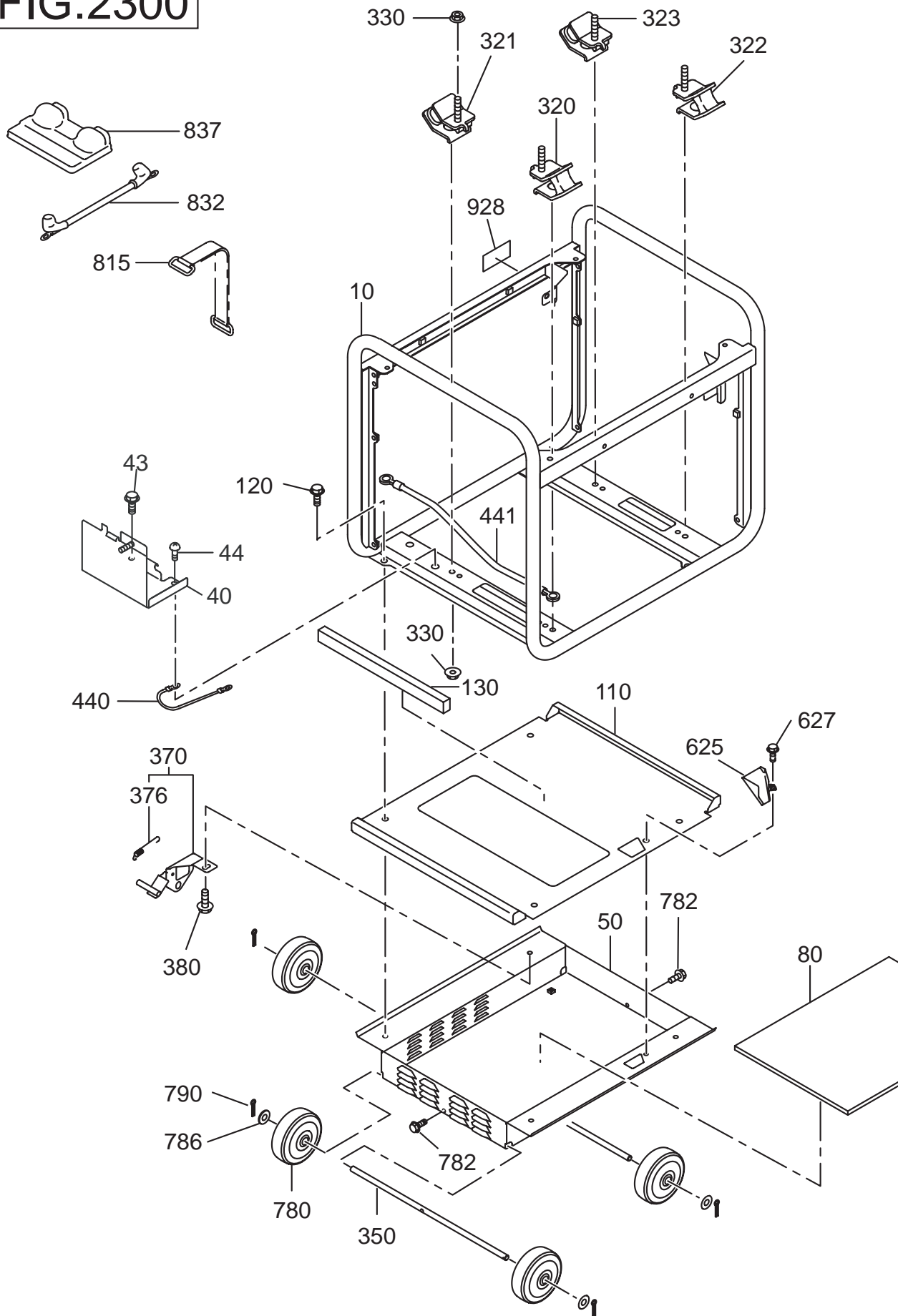
FIG. 2200



22 GENERATOR

REF.	PART NUMBER	PART NAME	QTY	R E M A R K S	CODE NO.	INTERCHANGE P/NO.	UNIT P	FIG.
210	34C-20051-11	STATOR CP	1		-			2200
214	34C-21051-08	BOLT	4		-			2200
220	34C-20061-01	ROTOR CP	1		-			2200
222	34B-21001-08	BEARING	1		-			2200
224	010-01002-00	BOLT	1	M10X1. 5X55L	-			2200
228	020-01001-60	WASHER	1	10. 5DX27DX2T	-			2200
260	34B-23071-01	REAR COVER	1		-			2200
264	001-14062-50	BOLT AND WASHER AY	4	M6X1. 0X25L W/W, SW	-			2200
302	KU5-12136-01	INV&E/G C/U CP (F6)	1		-			2200
305	34B-55001-03	COVER (INVERTOR)	1		-			2200
311	004-36051-60	SCREW AND WASHER AY	2	M5X0. 8X16L W/W, SW	-			2200
360	34K-20903-08	RECTIFIER	1		-			2200
362	34K-20904-08	SCREW	1		-			2200
430	34B-48102-01	WIRE HARNESS (E/G) CP	1		-			2200
680	34K-20905-08	SCREW	1		-			2200
767	34K-20907-08	BAND	2		-			2200

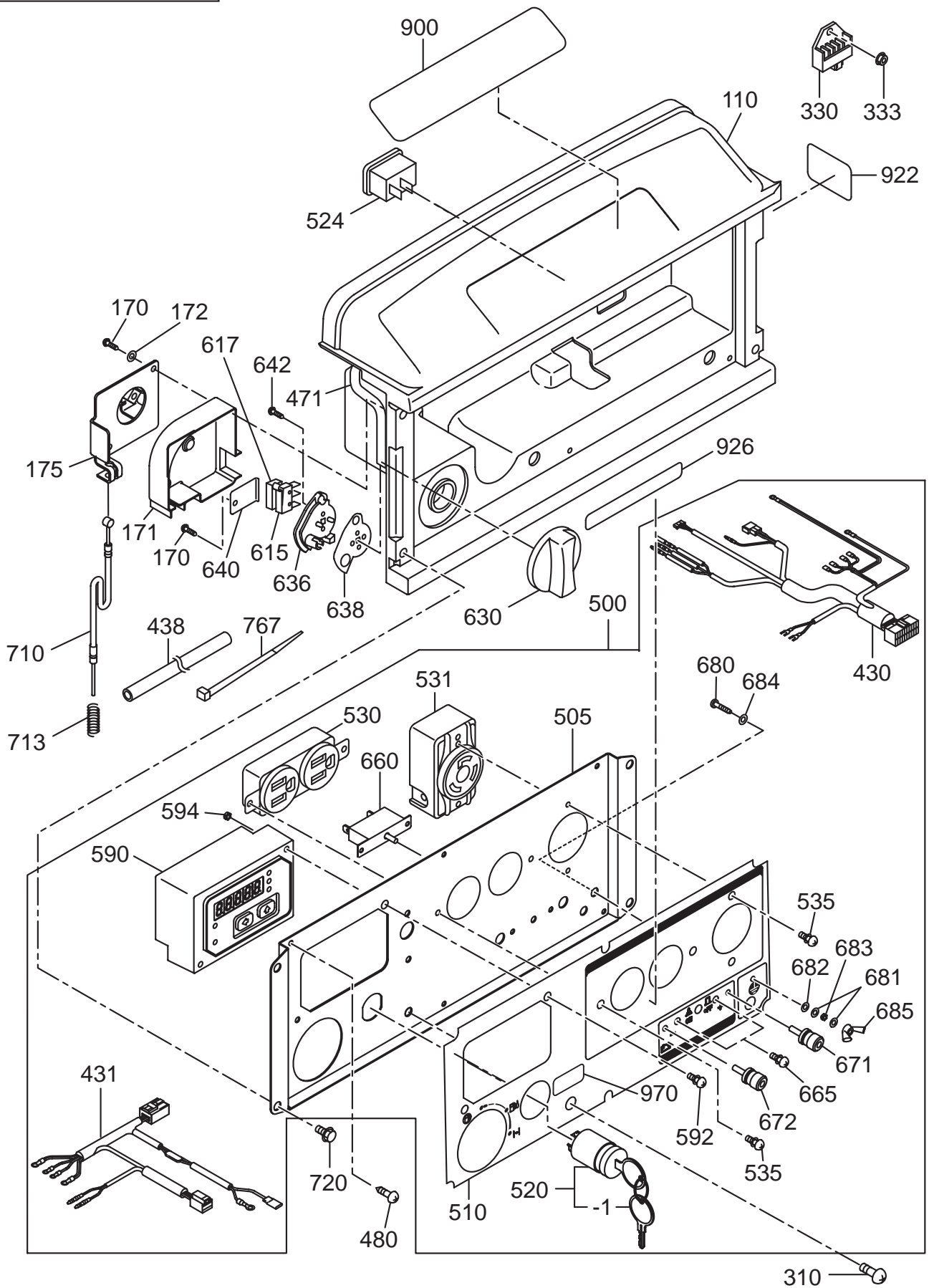
FIG.2300



23 BASE FRAME

REF.	PART NUMBER	PART NAME	QTY	R E M A R K S	CODE NO.	INTERCHANGE P/NO.	UNIT P	FIG.
10	34G-30101-01	PIPE FRAME (IVSL) CP	1		-			2300
40	33B-35601-21	BATTERY BASE CP	1		-			2300
43	011-00600-80	FLANGE BOLT	2	M6X1. 0X14DX12L	-			2300
44	014-00601-21	SCREW	1	M6X1. 0X8L	-			2300
50	34G-53001-11	BASE PLATE (LOWER) CP	1		-			2300
80	34G-59003-03	SPONGE (BASE)	1		-			2300
110	34G-53002-01	BASE PLATE (UPPER) CP	1		-			2300
120	001-14081-60	BOLT AND WASHER AY	4	M8X1. 25X16L W/W, SW	-			2300
130	34G-59004-03	SPONGE (BASE)	1		-			2300
320	32B-30211-11	MOUNT CP (R)	1	27L	-			2300
321	32B-30212-11	MOUNT CP (L)	1	27L	-			2300
322	32B-30202-11	MOUNT CP (L)	1	27L	-			2300
323	32B-30201-11	MOUNT CP (R)	1	27L	-			2300
330	002-38080-00	FLANGE NUT	8	M8X1. 25X17DX7. 5H	-			2300
350	34G-55201-11	SHAFT (WHEEL) CP	2		-			2300
370	34G-56002-10	BRAKE-2 AY	1		-			2300
376	34G-56102-13	SPRING (BRAKE)	1		-			2300
380	001-14081-60	BOLT AND WASHER AY	1	M8X1. 25X16L W/W, SW	-			2300
440	33B-48091-01	EARTH WIRE CP	1		-			2300
441	34B-48091-01	EARTH WIRE CP	1		-			2300
625	34G-55211-31	DRAIN GUIDE CP	1		-			2300
627	011-00600-80	FLANGE BOLT	1	M6X1. 0X14DX12L	-			2300
780	34G-55501-11	WHEEL CP	4		-			2300
782	011-00600-80	FLANGE BOLT	2	M6X1. 0X14DX12L	-			2300
786	003-11120-00	WASHER	3	12. 5DX26DX2. 3T	-			2300
790	005-10302-50	COTTER PIN	4		-			2300
815	33B-58001-01	BATTERY BAND	1		-			2300
832	33B-48071-21	BATTERY WIRE CP	1		-			2300
837	33B-35701-03	BATTERY COVER	1		-			2300
928	073-20055-10	LABEL (PLUG CAUTION)	1		-			2300

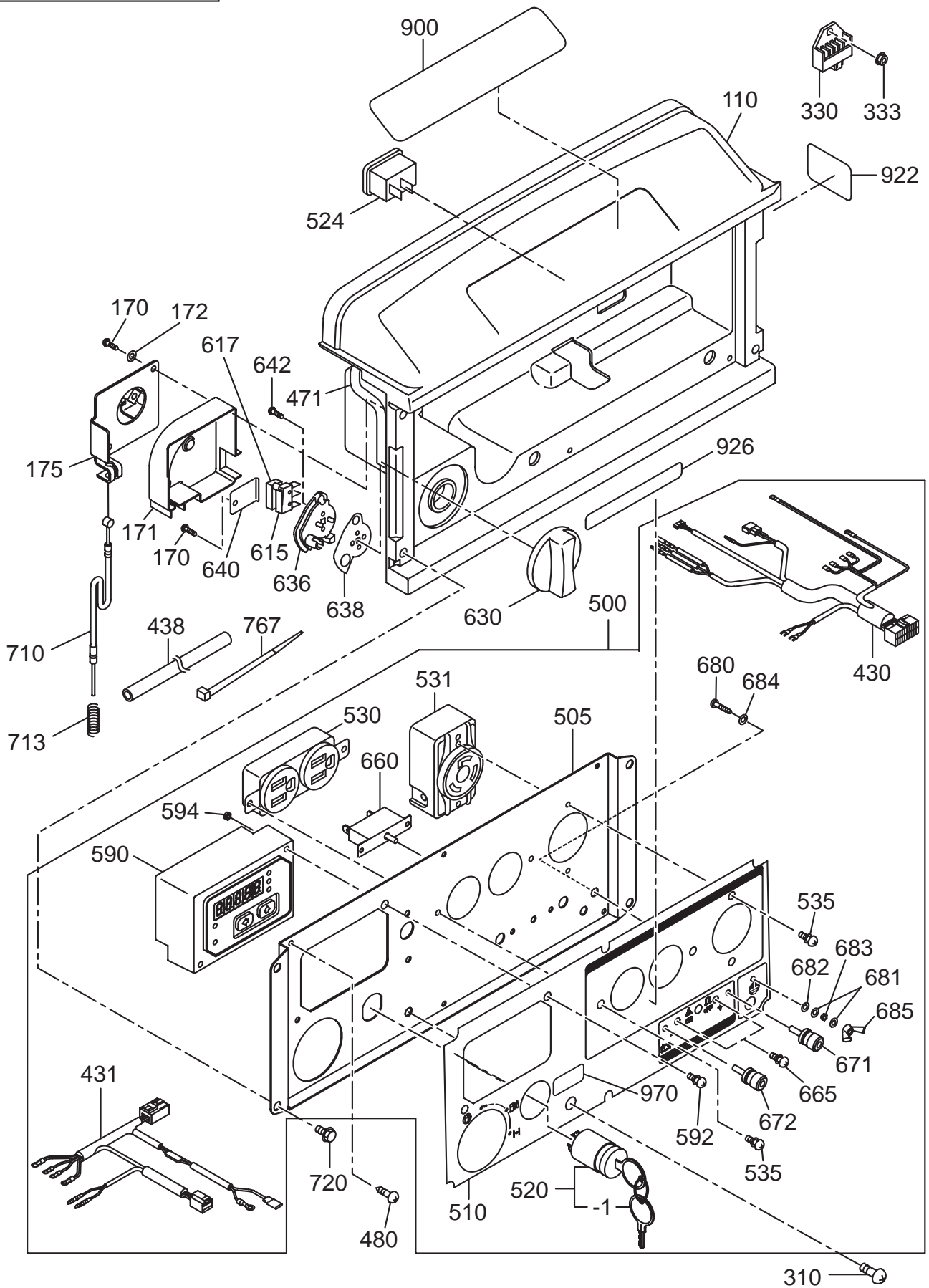
FIG.2400



24 CONTROL

REF.	PART NUMBER	PART NAME	QTY	R E M A R K S	CODE NO.	INTERCHANGE P/NO.	UNIT P	FIG.
110	33B-50001-11	FRONT COVER (UPPER) CP	1		-			2400
170	33B-40002-08	TAPPING SCREW	3		-			2400
171	33B-46001-03	COVER (COCK)	1		-			2400
172	003-10040-00	WASHER	2		-			2400
175	33B-46012-11	BRACKET (COCK)	1		-			2400
310	33B-40004-08	SCREW AND WASHER AY	2		-			2400
330	33B-47203-01	REGULATOR CP	1		-			2400
333	002-38060-00	FLANGE NUT	1	M6X1. 0X13DX6H	-			2400
430	34B-48003-01	WIRE HARNESS CP	1		-			2400
431	33B-48061-31	WIRE HARNESS CP	1		-			2400
438	34H-49001-03	CORRUGATED TUBE	1		-			2400
471	34G-47001-03	SEAL SPONGE (C. BOX 1)	1		-			2400
480	353-49904-08	TAPPING SCREW	6		-			2400
500	34C-45131-80	CONTROL PANEL AY	1		-			2400
505	33B-45002-01	PANEL PLATE	1		-			2400
510	34B-49145-03	SHEET (PANEL VS) 46	1		-			2400
520	066-00003-30	SWITCH	1		-			2400
- 1	066-00099-80	KEY, SWITCH	2	MARK 103	-			2400
524	33B-40007-08	SWITCH AY	1		-			2400
530	388-85002-01	AC CONCENT	1	125V/15A	-			2400
531	33B-40006-08	CONCENT (30A TWIST)	1		-			2400
535	351-49920-08	SCREW & WASHER AY	4		-			2400
590	KU3-11763-01	MONITOR C/U CP (INV8)	1		-			2400
592	33B-40003-08	SCREW AND WASHER AY	2		-			2400
594	002-17040-00	NUT	2		-			2400
615	33K-41811-03	MICRO SWITCH	1		-			2400
617	33D-46040-03	SPACER (SWITCH)	1		-			2400
630	33K-42010-03	CONTROL DIAL	1		-			2400
636	33K-42020-03	CHOKE REEL	1		-			2400
638	33K-42030-23	PLATE	1		-			2400
640	33B-46015-01	BRACKET (MICRO)	1		-			2400
642	33B-40001-08	TAPPING SCREW	2		-			2400
660	32B-43041-03	CIRCUIT BREAKER	1	DC 10A	-			2400
665	31B-79011-03	SCREW & WASHER AY	2		-			2400
671	363-45701-08	TERMINAL BOLT	1	RED 20A	-			2400
672	363-45700-08	TERMINAL BOLT	1	BLACK 20A	-			2400
680	388-88001-03	SCREW AND WASHER AY	1		-			2400
681	332-00050-08	SPRING WASHER	2		-			2400
682	353-49903-08	WASHER	1		-			2400
683	353-49902-08	NUT	1		-			2400

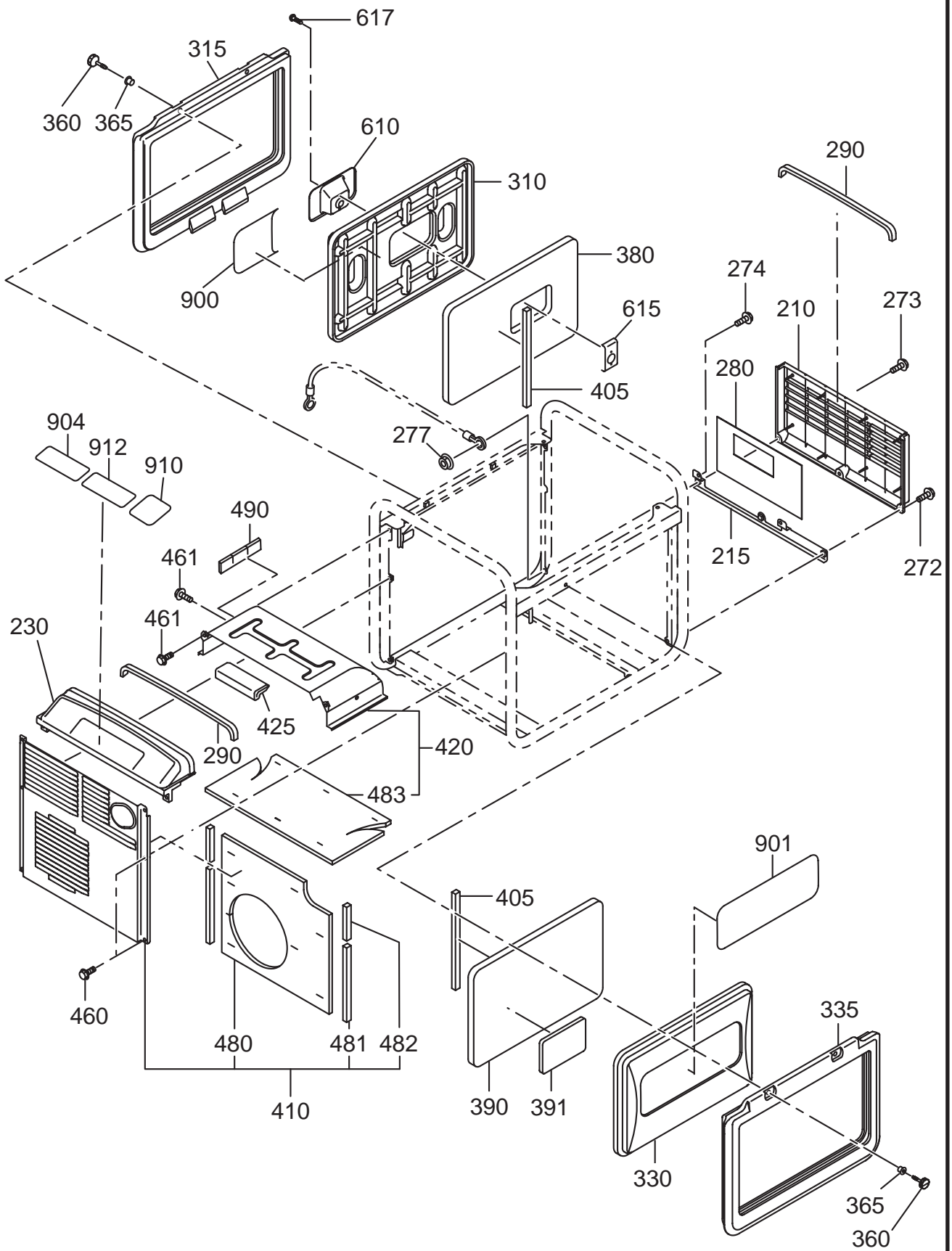
FIG.2400



24 CONTROL

REF.	PART NUMBER	PART NAME	QTY	REMARKS	CODE NO.	INTERCHANGE P/NO.	UNIT P	FIG.
684	003-30050-00	LOCK WASHER	1		-			2400
685	353-49901-08	WING NUT	1		-			2400
710	33B-46021-01	CHOKE WIRE CP	1		-			2400
713	226-45001-03	RETURN SPRING	1	14-8DX0. 8DX60L N=14	-			2400
720	014-00601-90	SCREW	4		-			2400
767	056-30000-20	WIRE BAND	6	2.5BX1.2TX100L	-			2400
900	34H-90002-03	LABEL, TRADE MARK	1		-			2400
922	33B-99001-03	LABEL, FREQ CH	1		-			2400
926	34B-99021-13	LABEL 21, AC OP	1		-			2400
970	073-20055-60	LABEL (KEY SWITCH)	1	15X40 JAPAN	-			2400

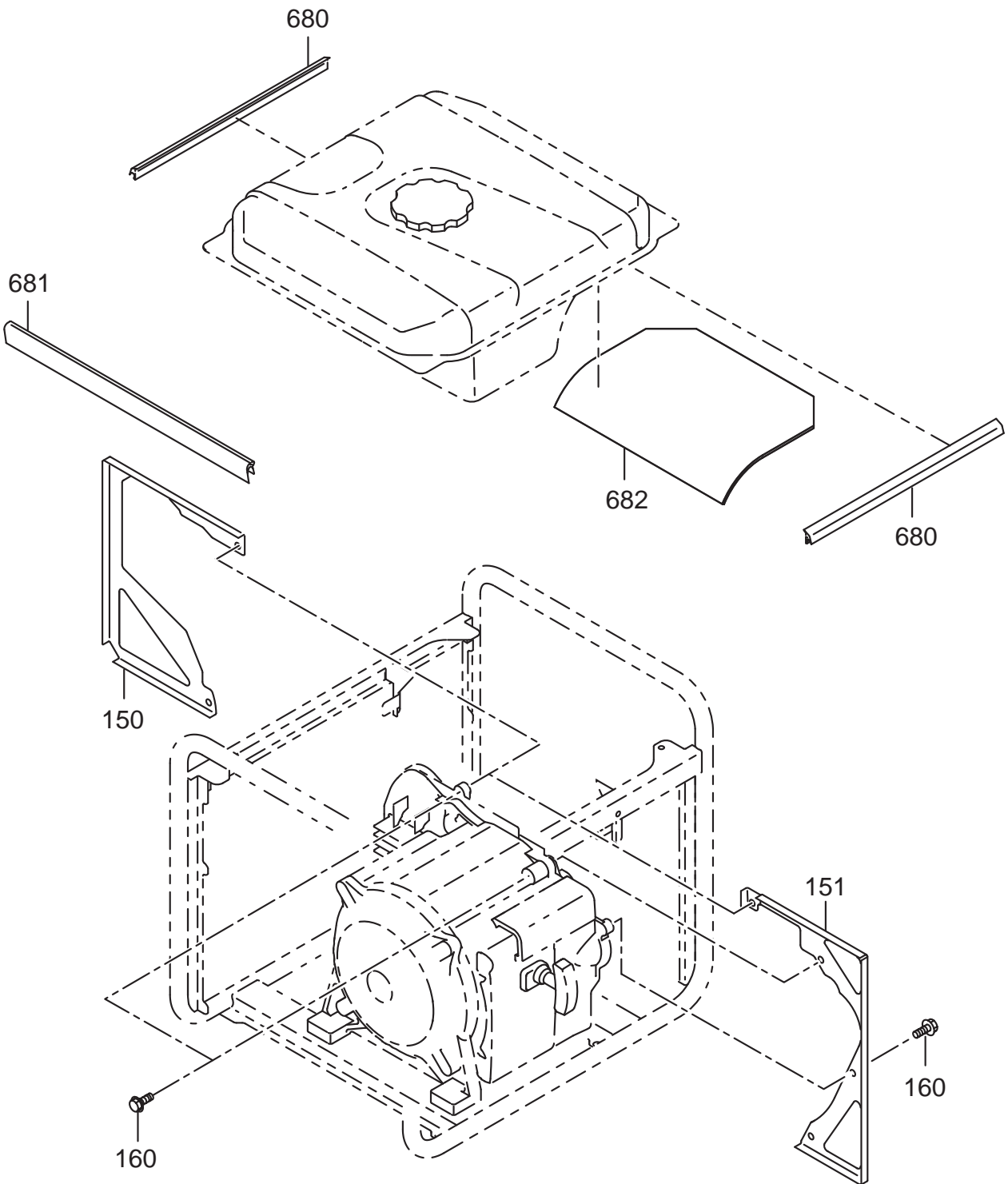
FIG. 2500



25 COVER

REF.	PART NUMBER	PART NAME	QTY	R E M A R K S	CODE NO.	INTERCHANGE P/NO.	UNIT P	FIG.
210	33B-50101-01	FRONT COVER (LOWER) CP	1		-			2500
215	33B-35501-01	BRACKET (COVER) CP	1		-			2500
230	33B-50501-01	REAR COVER (UPPER) CP	1		-			2500
272	011-00601-80	FLANGE BOLT	2	M6X1. 0X14DX18L	-			2500
273	001-11062-50	BOLT AND WASHER AY	1		-			2500
274	011-00600-20	FLANGE BOLT	2	M6X1. 0X14DX12L	-			2500
277	002-38060-00	FLANGE NUT	1	M6X1. 0X13DX6H	-			2500
280	34B-57310-03	SEAL SPONGE FC1	1		-			2500
290	34B-57311-03	SEAL SPONGE FC2	2		-			2500
310	34G-51001-01	SIDE COVER (R) CP	1		-			2500
315	34G-55101-03	SIDE RUBBER SEAL	1		-			2500
330	34G-51101-01	SIDE COVER (L) CP	1		-			2500
335	34G-55101-03	SIDE RUBBER SEAL	1		-			2500
360	34G-55303-01	COVER BOLT	4		-			2500
365	34G-55304-01	SPACER	4		-			2500
380	34G-59001-23	SPONGE (S COVER-R)	1		-			2500
390	34G-59002-13	SPONGE (S COVER-L)	1		-			2500
391	34G-59008-03	SPONGE (S COVER-L)	1		-			2500
405	34G-57321-03	SEAL SPONGE (SIDE)	2		-			2500
410	33B-56411-11	MUF COVER (REAR) CP	1		-			2500
420	34G-56351-01	MUFFLER COVER (L) CP	1		-			2500
425	33B-57005-03	SEAL RUBBER	1		-			2500
460	011-00601-80	FLANGE BOLT	6	M6X1. 0X14DX18L	-			2500
461	011-00600-80	FLANGE BOLT	4	M6X1. 0X14DX12L	-			2500
480	33B-57105-03	GLASS WOOL (M-COVER)	1		-			2500
481	34G-57331-03	SPONGE1 (M. COVER)	2		-			2500
482	34G-57332-03	SPONGE2 (M. COVER)	2		-			2500
483	33B-57103-03	GLASS WOOL	1		-			2500
490	34G-57322-03	SEAL SPONGE (MF17. 21)	2		-			2500
610	34G-55001-11	COVER (RECOIL KNOB) CP	1		-			2500
615	34G-55002-01	PLATE CP	1		-			2500
617	004-35061-00	SCREW AND WASHER AY	2	M6X1. 0X10L W/SW	-			2500
900	34H-91002-03	LABEL, TRADE MARK-R	1		-			2500
901	34H-92002-13	LABEL (TRADE MARK-L)	1		-			2500
904	34H-96003-03	LABEL, SPEC	1		-			2500
910	073-20046-50	LABEL (WARNING)	1	44X62 JAPAN	-			2500
912	33K-94001-03	LABEL (CAUTION)	1	40X90 JAPAN	-			2500

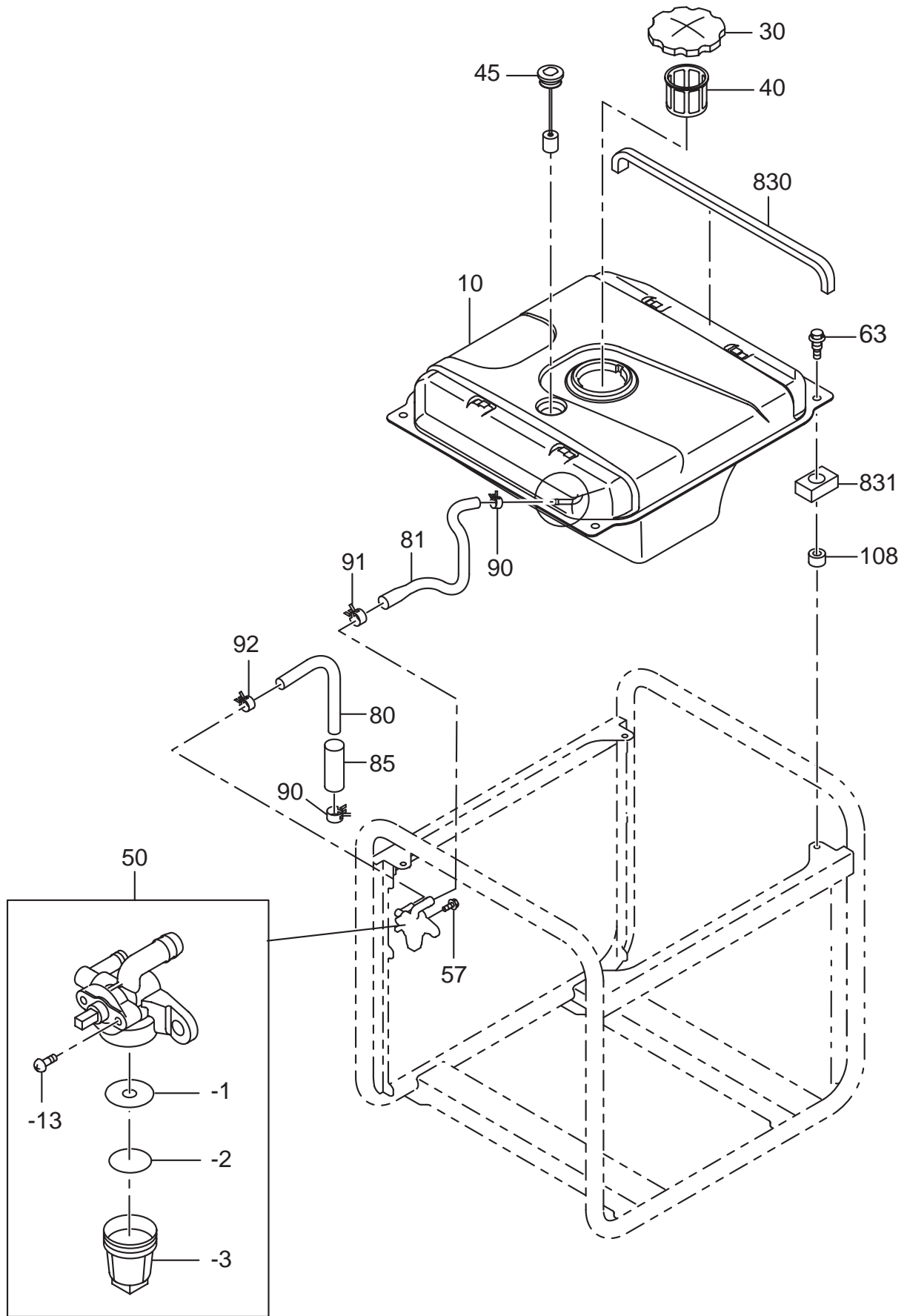
FIG. 2510



25 COVER

REF.	PART NUMBER	PART NAME	QTY	R E M A R K S	CODE NO.	INTERCHANGE P/NO.	UNIT P	FIG.
150	33B-56101-11	SEPARATOR (A/C)	1		-			2510
151	33B-56102-11	SEPARATOR (SEL)	1		-			2510
160	011-00600-10	FLANGE BOLT	3	M6X1. 0X14DX8L	-			2510
680	33B-57001-03	SEAL RUBBER (TANK)	2		-			2510
681	33B-57002-03	SEAL RUBBER (MUF)	1		-			2510
682	34G-57201-03	SPONGE (TANK)	1		-			2510

FIG. 2600



26 FUEL TANK

REF.	PART NUMBER	PART NAME	QTY	R E M A R K S	CODE NO.	INTERCHANGE P/NO.	UNIT P	FIG.
10	33B-60104-01	FUEL TANK CP	1		-			2600
30	043-05900-11	FUEL TANK CAP AY	1	59DX102DX15H	-			2600
40	064-15400-11	FUEL FILTER	1	54DX58DX48H	-			2600
45	064-80015-00	FUEL GAUGE CP	1		-			2600
50	064-20103-00	FUEL STRAINER AY	1		-			2600
- 1	064-20093-20	FUEL FILTER	1		-			2600
- 2	064-20064-10	PACKING	1		-			2600
- 3	064-20078-10	CUP	1		-			2600
- 13	064-20047-90	SCREW	2		-			2600
57	011-00600-20	FLANGE BOLT	1	M6X1.0X14DX12L	-			2600
63	011-00602-20	FLANGE BOLT	4		-			2600
80	085-10603-60	RUBBER PIPE	1	6DX12DX240L	-	085-10600-00		2600
81	33B-66001-03	RUBBER PIPE	1		-			2600
85	251-17302-03	MESH PROTECTOR	1		-			2600
90	056-11100-20	HOSE CLAMP	2	11.5DX8BX0.7T	-			2600
91	056-11300-10	HOSE CLAMP	1	13.2DX10BX0.8T	-			2600
92	056-11000-30	HOSE CLAMP	1	10DX8BX1T	-			2600
108	391-39000-13	RUBBER WASHER	4		-			2600
830	34G-67001-03	SEAL SPONGE (TANK 1)	2		-			2600
831	34G-67002-03	SEAL SPONGE (TANK 2)	4		-			2600

FIG. 2900

